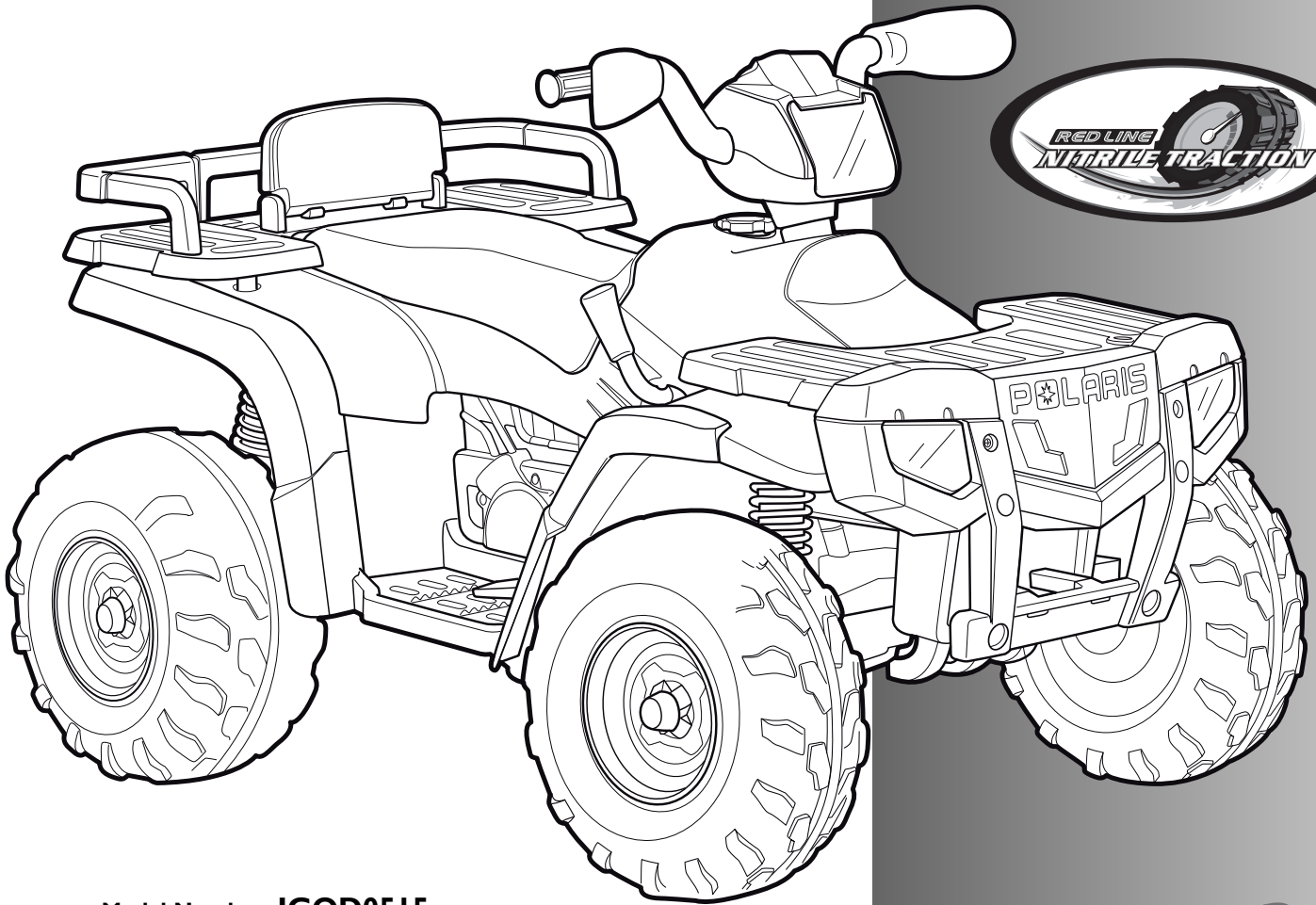


Peg-Pérego

FIUS110IG156



POLARIS® SPORTSMAN TWIN 850 EFI



Model Number IGOD0515



POLARIS®
LICENSED MERCHANDISE

USE AND CARE **EN**

EMPLOYOY MANUTENCION **ES**

UTILISATION ET ENTRETIEN **FR**

See separate insert
sheet for more
information

EXTENDED



Vea la hoja separada del
separador de millares
para más información

Voir la feuille séparée
d'insertion pour plus
d'information

2 YEARS*

*CONSUMER PARTICIPATION
REQUIRED



**MADE IN
USA**

SEE VERBAL INSTRUCTIONS
AFTER THE PICTURES

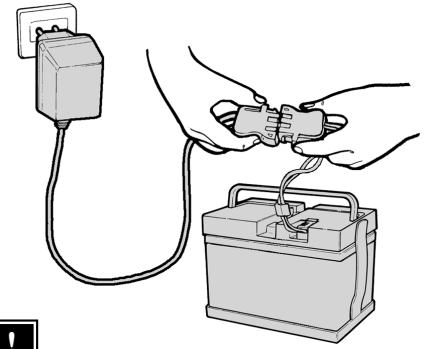
VER LAS INSTRUCCIONES
DESPUÉS DE LOS DISEÑOS

VOIR LES INSTRUCTIONS APRÈS
LES DESSINS

INITIAL BATTERY CHARGE

PRIMERA CARGA DE LA
BATERÍA

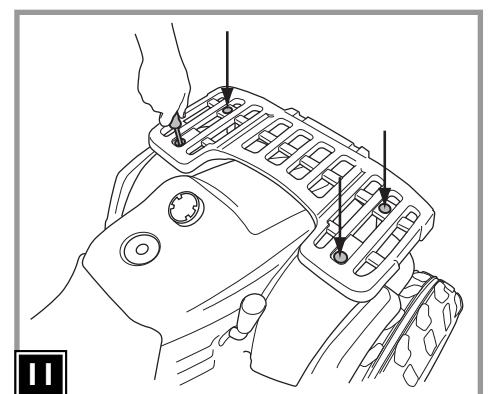
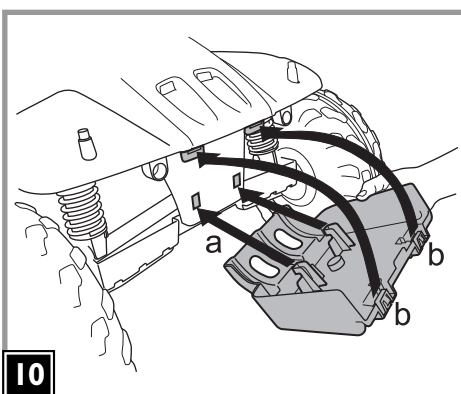
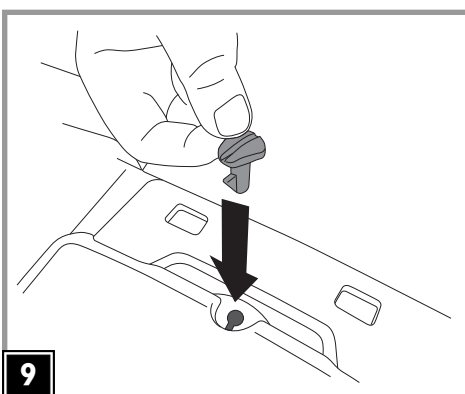
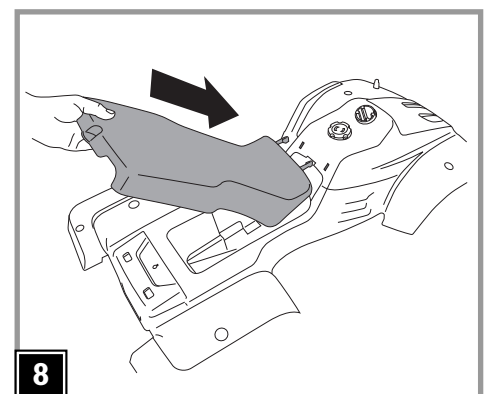
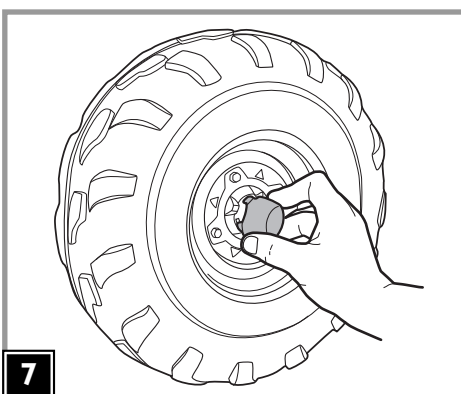
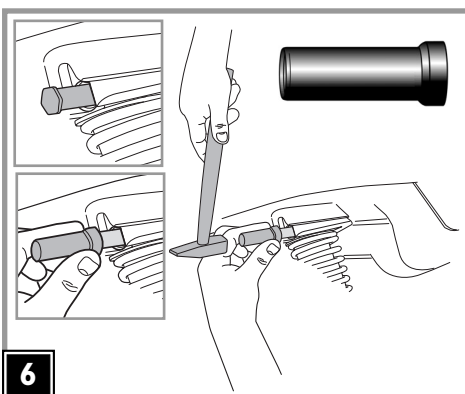
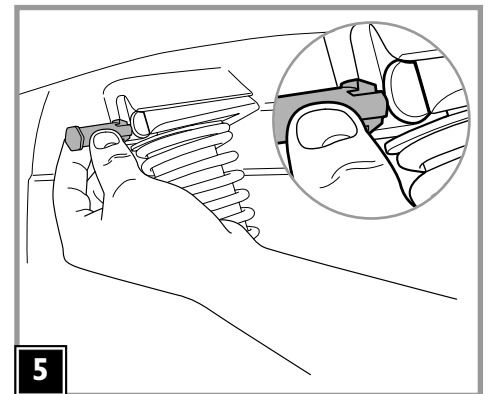
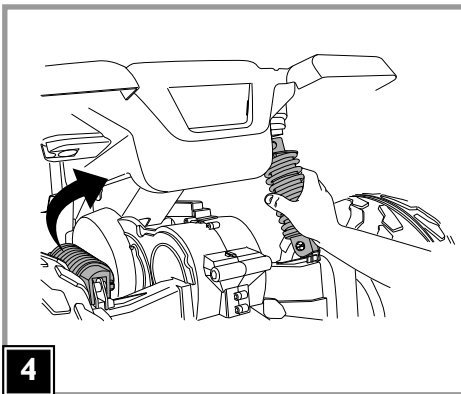
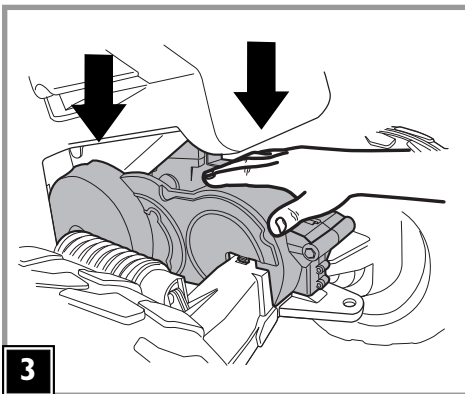
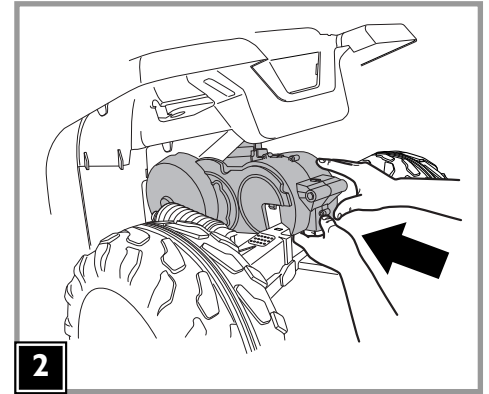
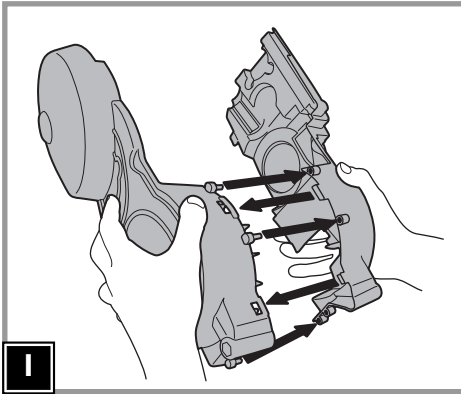
PREMIÈRE CHARGE DE
BATTERIE

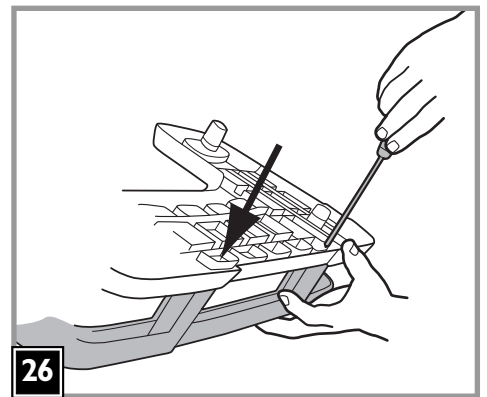
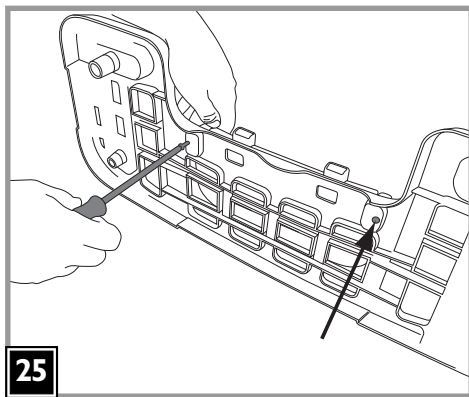
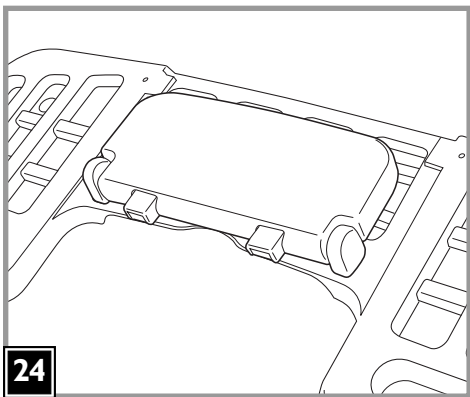
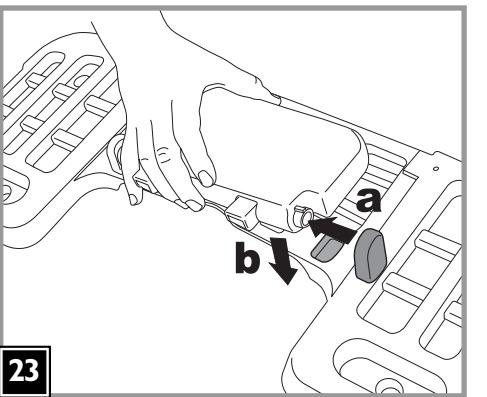
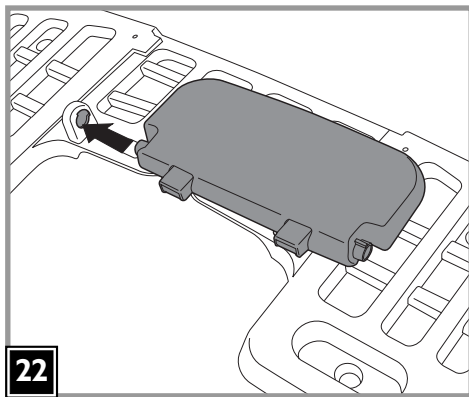
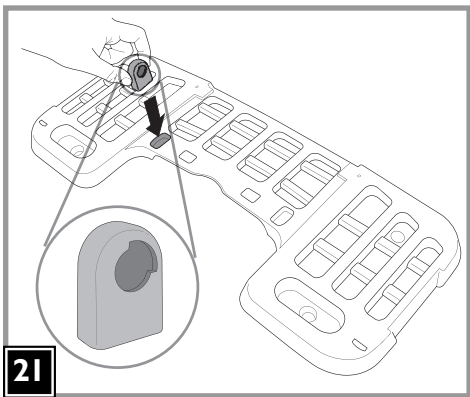
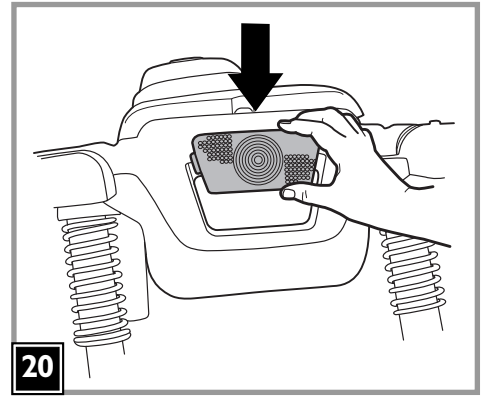
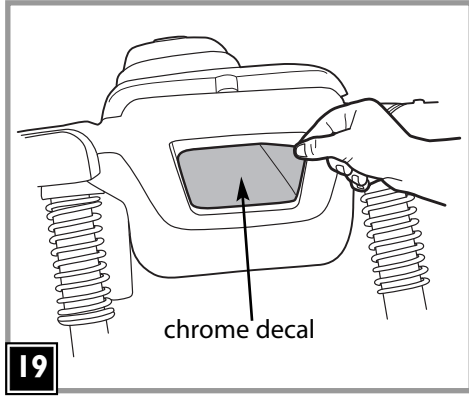
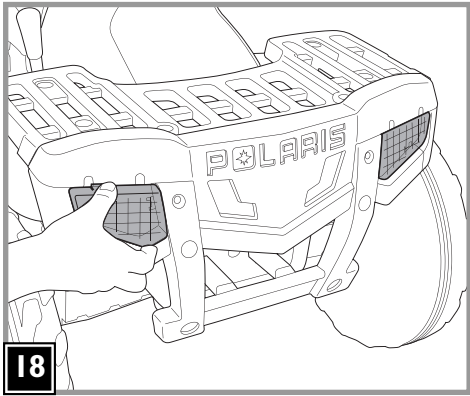
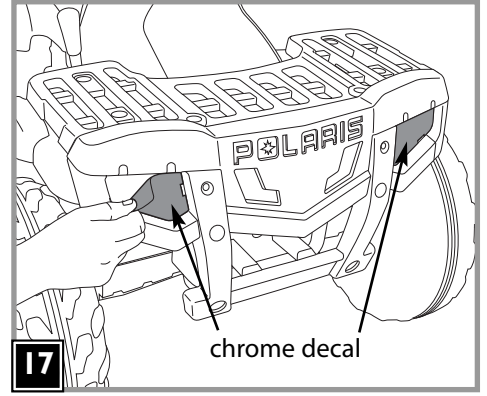
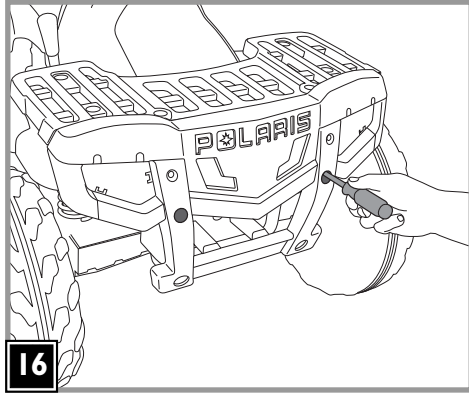
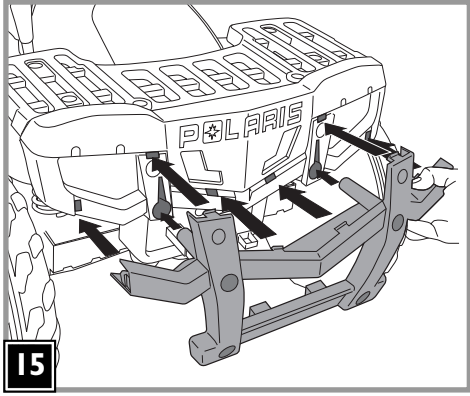
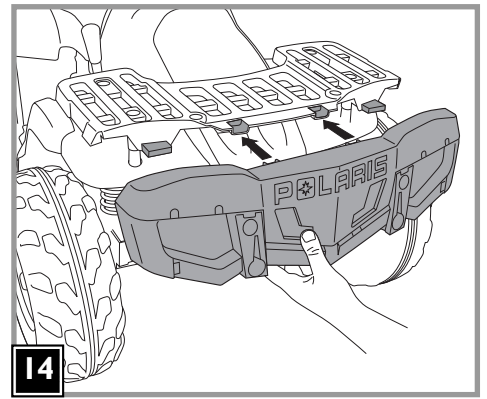
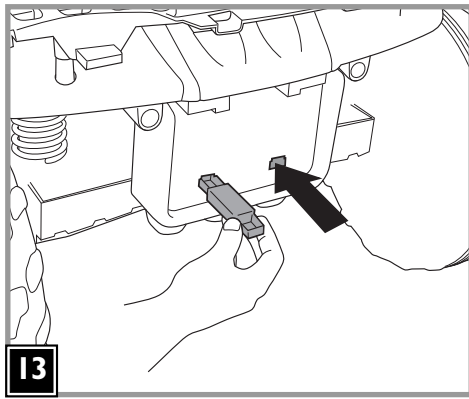
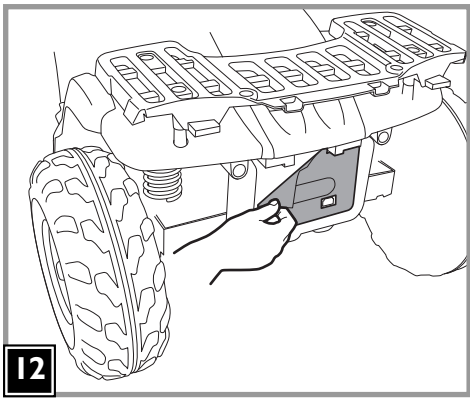


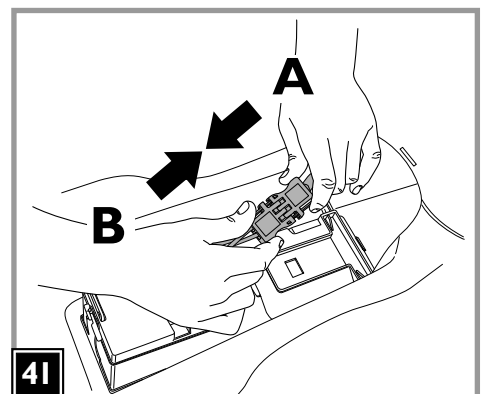
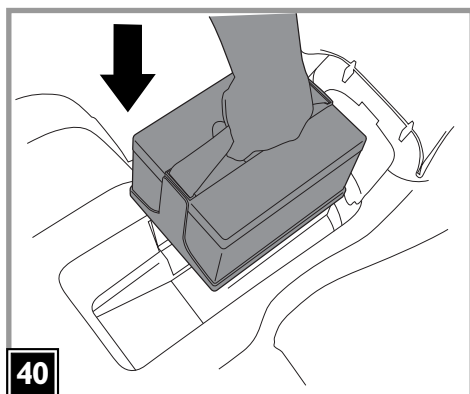
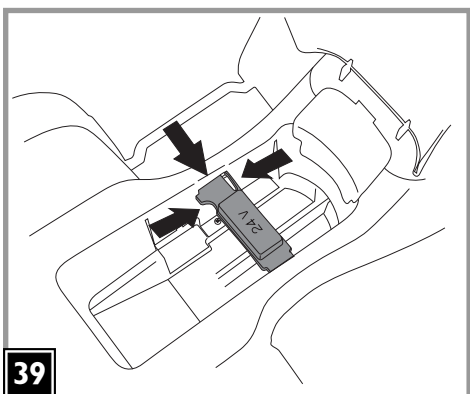
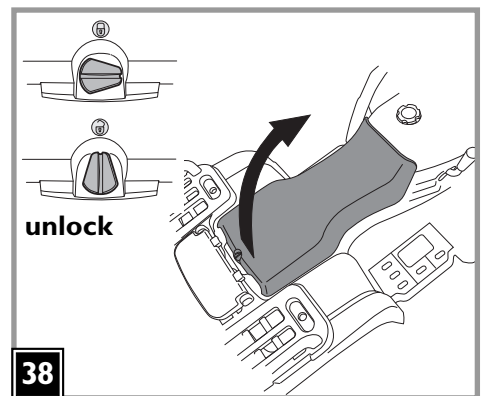
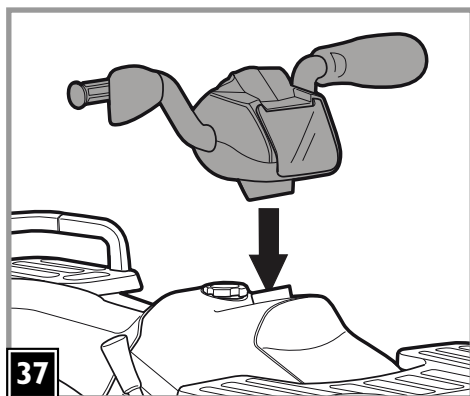
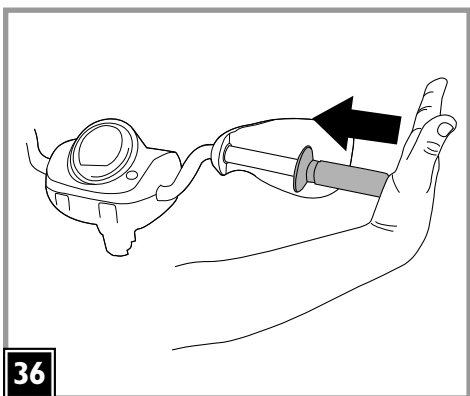
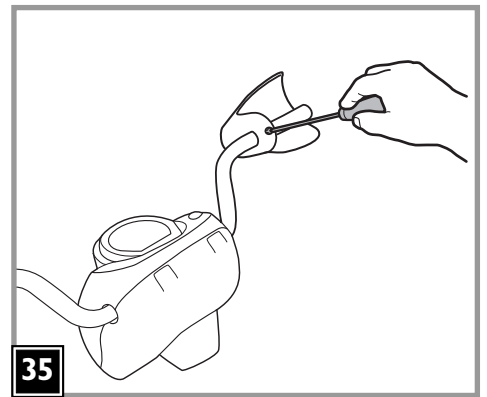
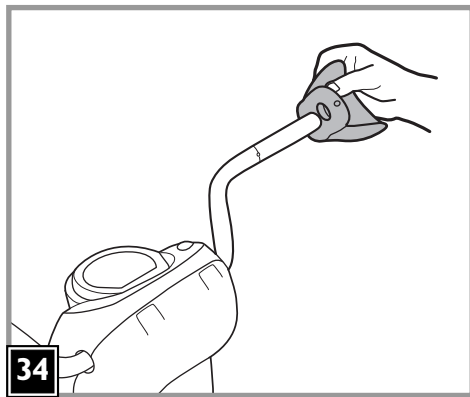
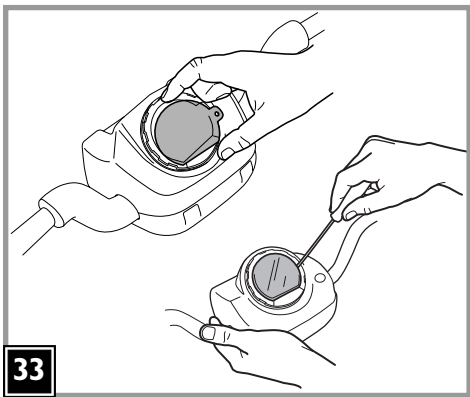
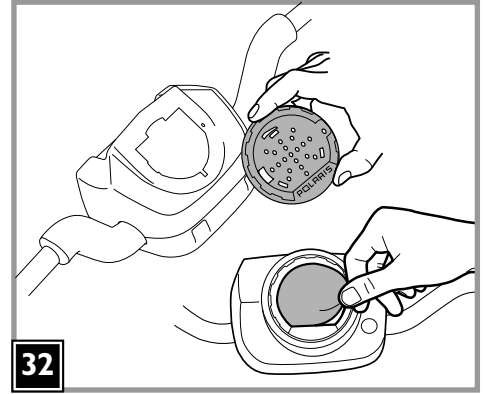
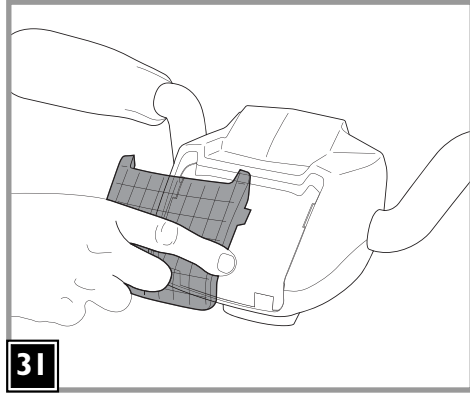
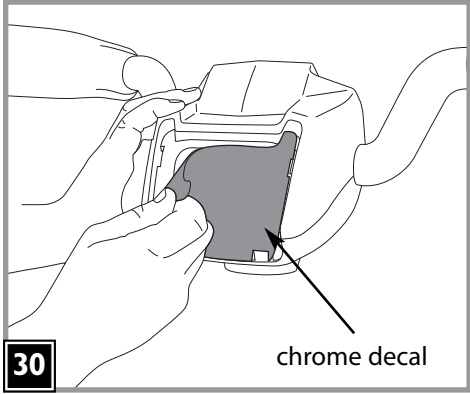
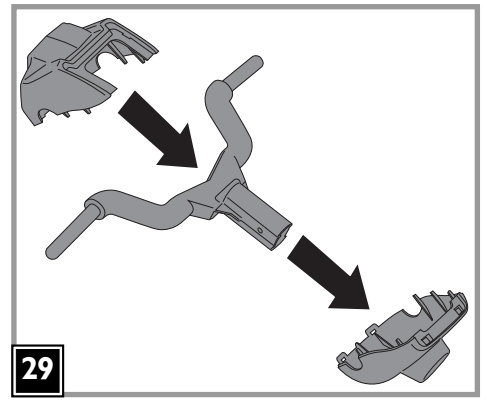
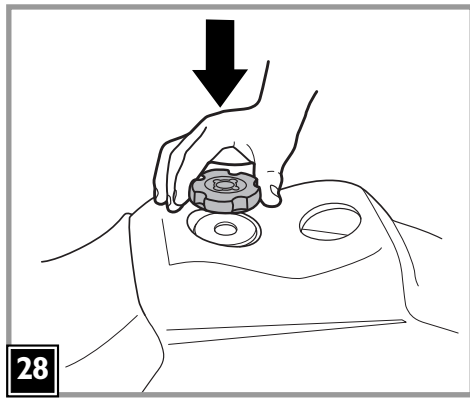
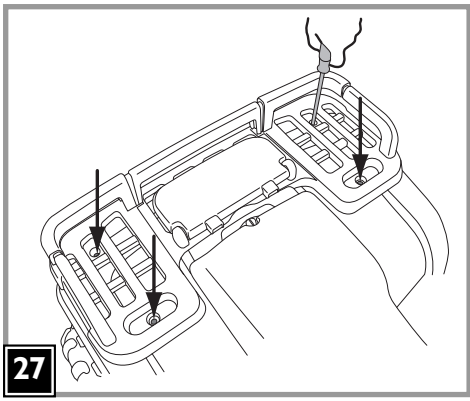
ASSEMBLY

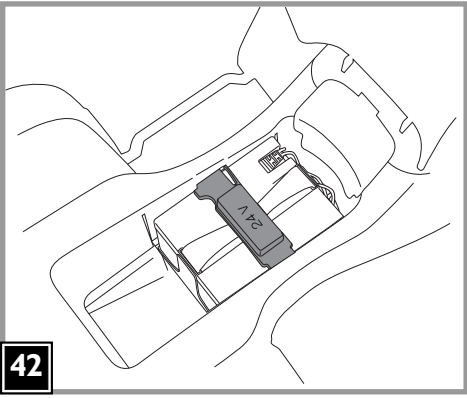
MONTAJE

MONTAGE

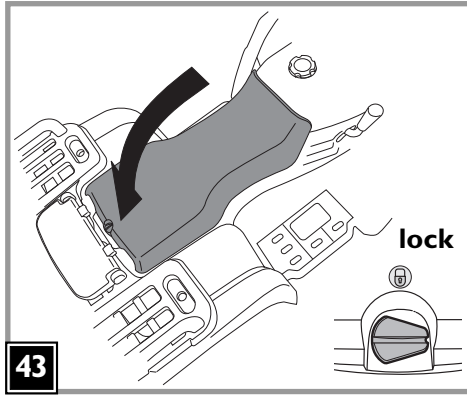






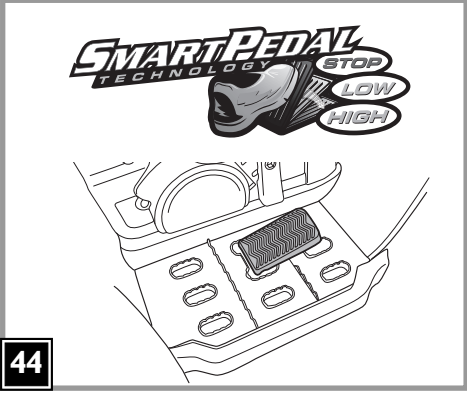


42

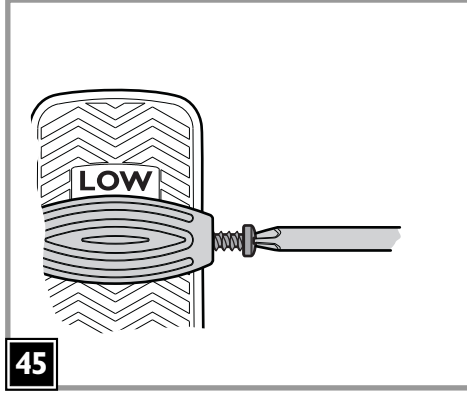


43

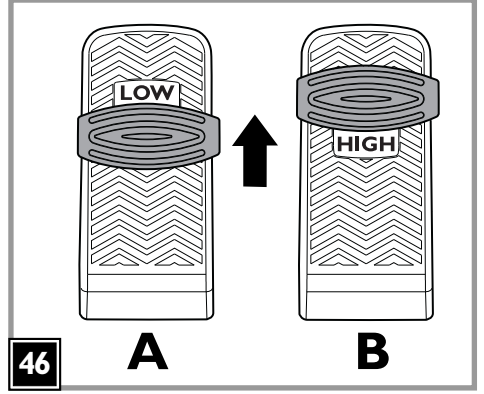
VEHICLE FEATURES AND INSTRUCTIONS FOR USE
CARACTERÍSTICAS Y USO DEL VEHÍCULO
CARACTÉRISTIQUES ET UTILISATION DU VÉHICULE



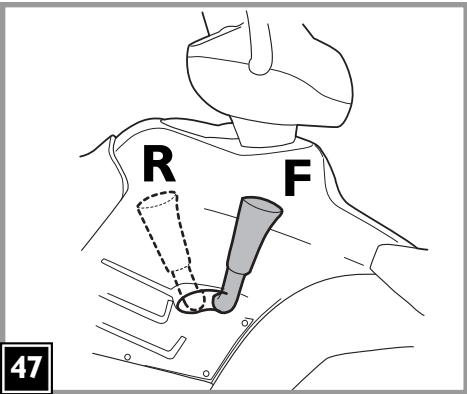
44



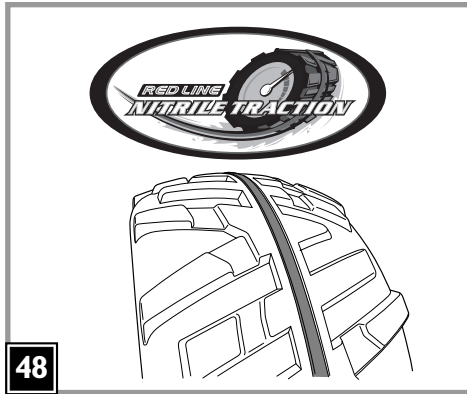
45



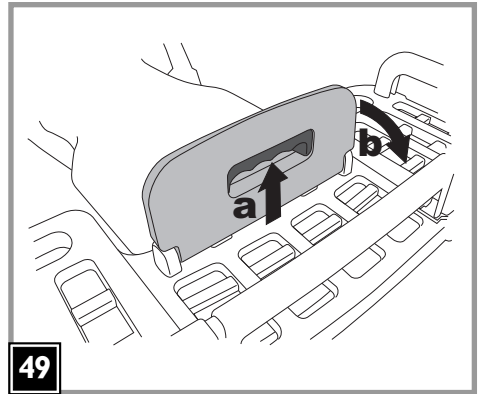
46



47

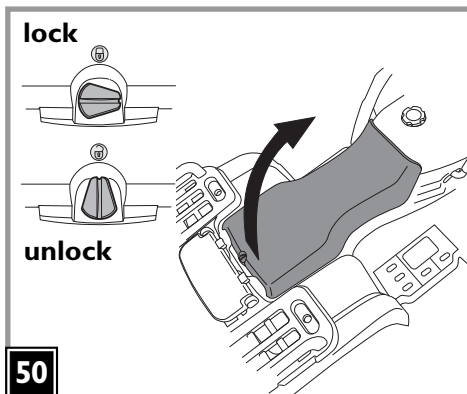


48

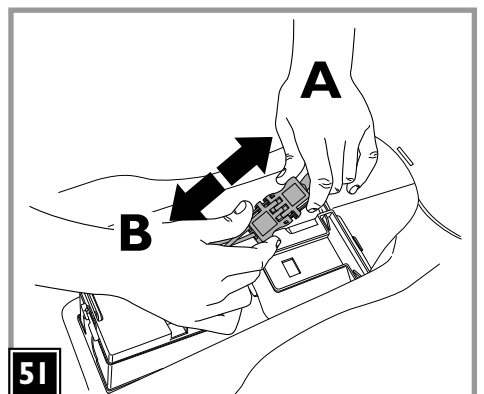


49

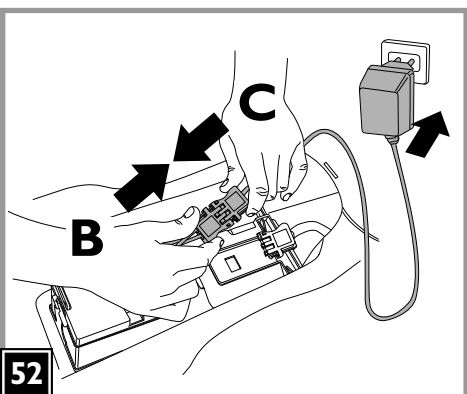
BATTERY RECHARGE
CARGA DE LA BATERÍA
CHARGE DE LA BATTERIE



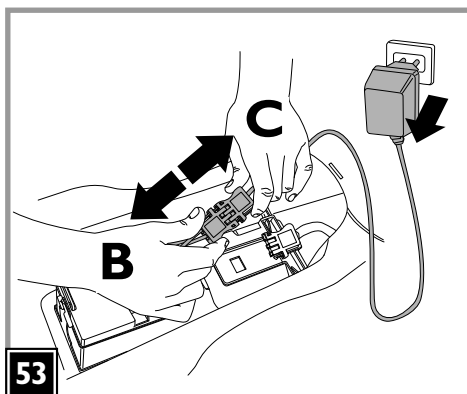
50



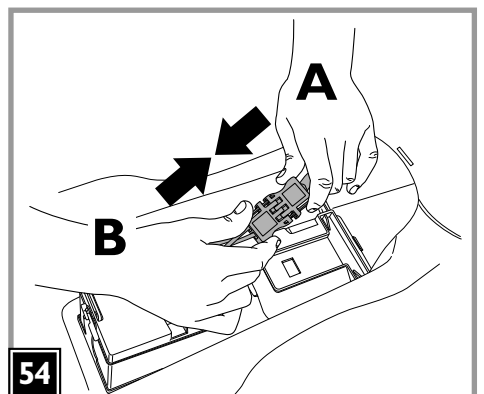
51



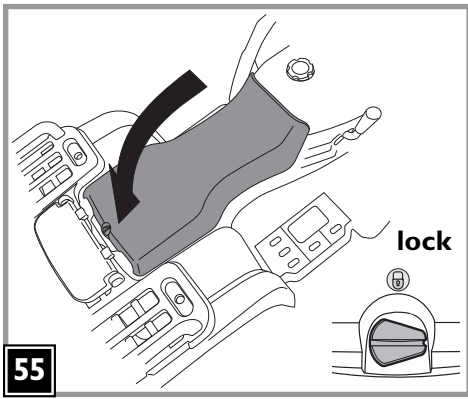
52



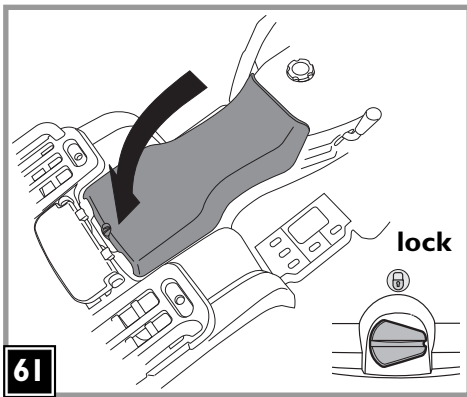
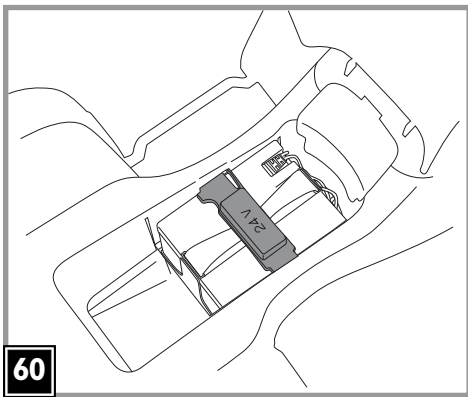
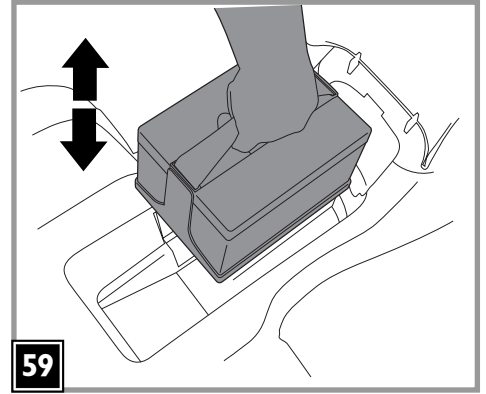
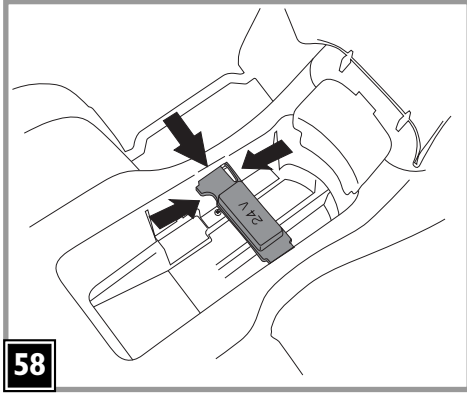
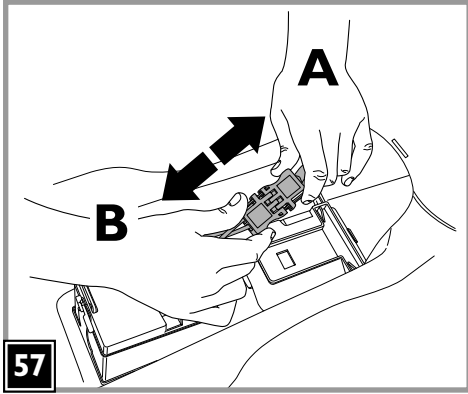
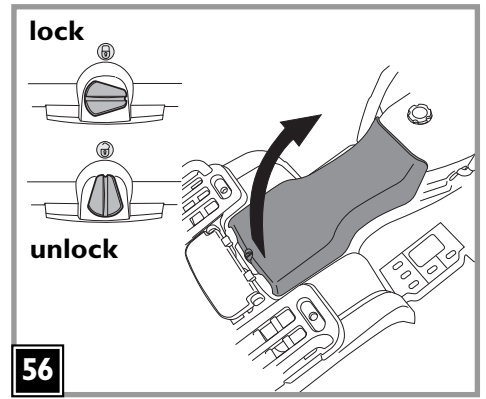
53



54



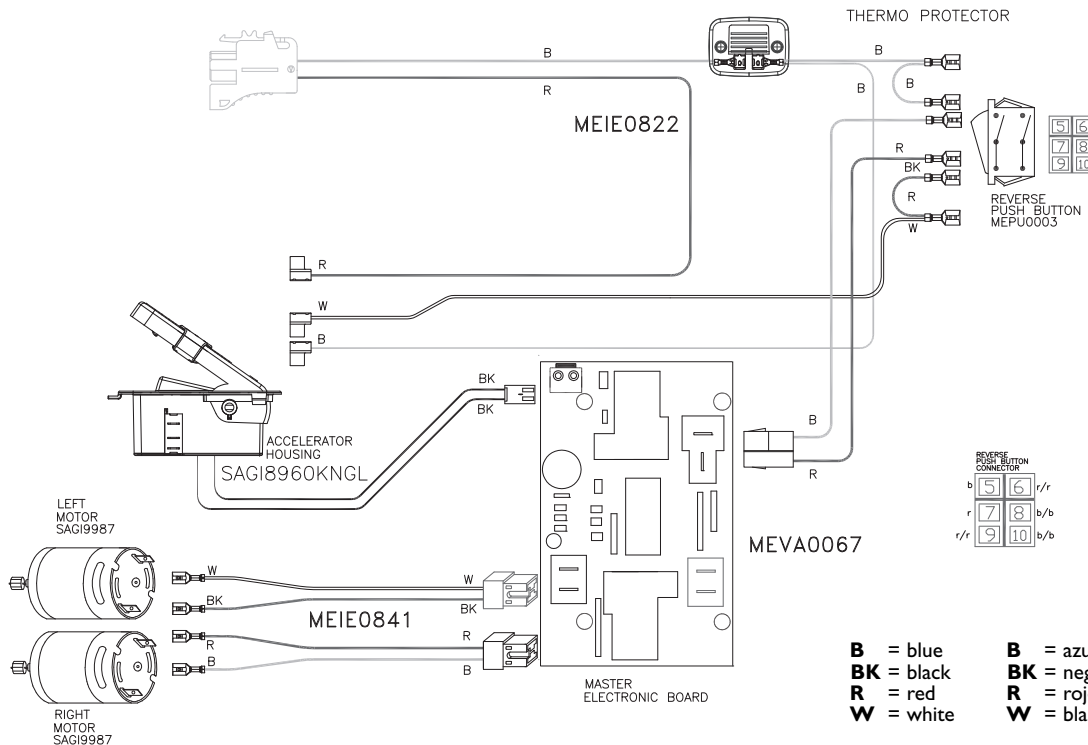
BATTERY REPLACEMENT
CAMBIO DE LA BATERÍA
REPLACEMENT DE LA BATTERIE



ELECTRICAL DIAGRAM

DIAGRAMA ELÉCTRICO

DIAGRAMME ÉLECTRIQUE



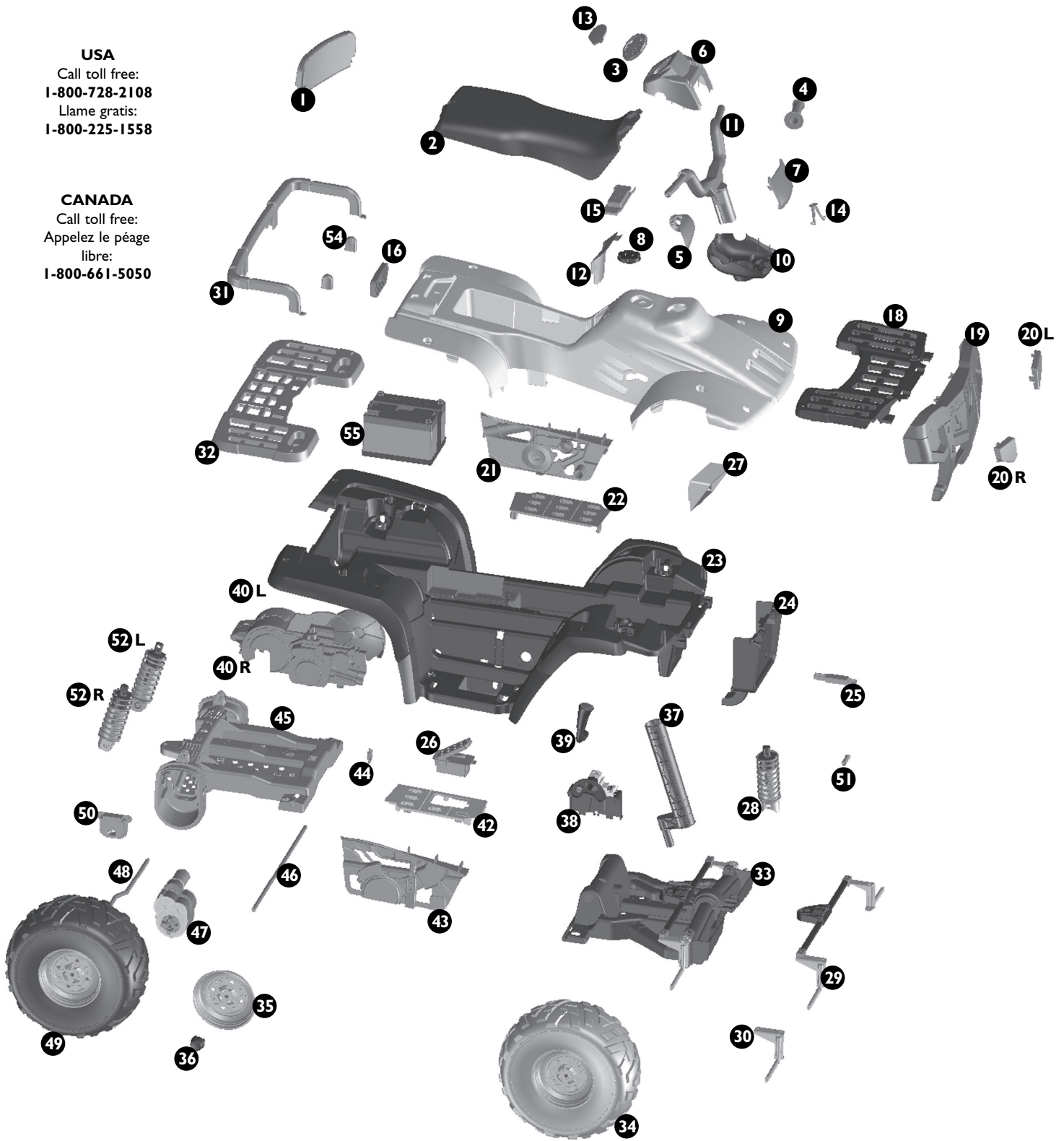
B = blue **B** = azul **B** = bleu
BK = black **BK** = negro **BK** = noir
R = red **R** = rojo **R** = rouge
W = white **W** = blanco **W** = blanc

USA

Call toll free:
1-800-728-2108
 Llame gratis:
1-800-225-1558

CANADA

Call toll free:
 Appelez le péage
 libre:
1-800-661-5050



- | | | | | | |
|-----|-------------|-----|---------------|-----|---------------|
| 1 | SAGI8943N | 21 | SPST8381SGR | 40L | SPST8377KSMF |
| 2 | SPST8373N | 22 | SPST8389YU | 41 | MEIE0822 |
| 3 | SPST8413N | 23 | SPST8369KN | 42 | SPST8390KYU |
| 4 | SPST8351N | 24 | SPST8393N | 43 | SPST8381KDGR |
| 5 | SPST8941YU | 25 | SPST8947N | 44 | SPST8441N |
| 6 | SPST8938YU | 26 | SAGI8960KNGL | 45 | SPST8371JGR |
| 7 | SPST8939 | 27 | SPST9135N | 46 | SOFF0180Z |
| 8 | SPST8378N | 28 | SAGI8383KGRN | 47 | SAGI8969XWVTN |
| 9 | SPST8370XYU | 29 | SAGI0061N | 48 | SOFF0178FL30 |
| 10 | SPST8404JN | 30R | SOGI0045DSL30 | 49 | SARP9038NGR |
| 11 | SPST8942N | 30L | SOGI0045SSL30 | 50 | SPST8975GR |
| 12 | SPST8957N | 31 | SPST8427JYU | 51 | SPST9060GR |
| 13 | SPST8412 | 32 | SPST8391KNGR | 52R | SAGI8405KDNGR |
| 14 | SPST8547GR | 33 | ASGI5021JGR | 52L | SAGI8405KSNGR |
| 15 | SPST8955N | 34 | SARP9037NGR | 53 | MMEV0800 |
| 16 | SPST8396RF | 35 | SPST8397GR | 54 | SPST8950NP |
| 17 | MECB0111 | 36 | SPST8398YU | 55 | IAKB0021US |
| 18 | SPST8392NP | 37 | SPST8401KN | | |
| 19 | SPST8944NP | 38 | SAGI8375NGR | | |
| 20R | SPST8946D | 39 | SPMV8376KGRS | | |
| 20L | SPST8946S | 40R | SPST8377KDMF | | |

DECAL
 CALCOMANIAS **53**
 DECALCOMANIES

BATTERY CHARGER
 CARGADOR DE BATERIA **17**
 CHARGEUR DE BATTERIE

ELECTRIC SYSTEM
 INSTALACIÓN ELÉCTRICA
 CIRCUIT ÉLECTRIQUE **41**

PEG PEREGO® thanks you for choosing this product. For more than 60 years, PEG PEREGO has been taking children for an outing: first with its famous baby carriages and strollers, later with its pedal and battery operated toy vehicles.

Discover our complete range of products, news and other information about the Peg Perego world on our web site www.pegperego.com

IMPORTANT INFORMATION

- Read this instruction manual carefully to learn the use of the vehicle and to teach your child safe and enjoyable driving. Please keep this manual (with your original sales receipt) for use as a reference in the future.
- **DO NOT RETURN YOUR VEHICLE TO THE STORE. This product cannot be returned for a refund after it has been used. If you have ANY questions, need replacement parts or need assistance, call us toll-free; U.S.A. , call 1-800-728-2108 / CANADA, call 1-800-661-5050**
- This product meets and/or exceeds all ASTM (American Society for Testing and Materials) TOY SAFETY STANDARDS, including F 963, Consumer Toy Safety Specifications as well as C.R.C, c.931, the Canadian Hazardous Products (Toys) Regulations.
- Tools needed for assembly: Phillips screwdriver medium and small (not included)
- Your new vehicle is partially pre-assembled. It will require adult assembly. Please set aside at least 60 minutes for assembly.
- Before the vehicle is used for the first time, charge the battery for 18 hours to initiate it. Failure to do this can result in permanent battery damage.
- Use only with the included Peg Perego 24 Volt lead-acid, rechargeable battery and a Peg Perego 24 Volt Charger (both included).

• Year 5+

• Weight capacity 150 lbs

- Do not exceed the maximum total weight capacity of 150 lbs (68 Kg). This includes both riders and cargo.

Contents:

- 1 Polaris Sportsman 850 Twin children's riding vehicle -- partially assembled
- 1 Rechargeable 24V sealed lead-acid battery
- 1 Charger 24V
- 2 heavy duty 350 W motors -- pre installed
- assembly hardware
- parts to be assembled
- decals

- LOW speed: 3.5 mph - HIGH speed: 7 mph - Reverse: 3.5 mph

- For safety, this vehicle has been pre-set so it will only operate in LOW speed. See steps 45-47 to remove the HIGH speed lock-out.
- To prevent damaging the motor and gears, teach your child to stop the vehicle before switching directions.
- Use this vehicle ONLY outdoors. Most interior flooring can be damaged by riding this vehicle indoors. Peg Perego will not be responsible for damage to the floor if the vehicle is used indoors.
- Peg Perego reserves the right to modify or change its products. Price, literature, manufacturing processes or locations or any combination of the above mentioned entities may change at any time for any reason without notice with impunity.

⚠ CAUTION:

ELECTRIC VEHICLE NOT RECOMMENDED FOR CHILDREN UNDER 5 YEARS OF AGE. AS WITH ALL ELECTRIC PRODUCTS, PRECAUTIONS SHOULD BE OBSERVED DURING HANDLING AND USE TO PREVENT ELECTRIC SHOCK. RECHARGER INCLUDED. 120 VOLTS, 60Hz, 33W INPUT, 24 VOLTS (DC) OUTPUT.

⚠ CAUTION:

Only adults should recharge batteries never children.
Never allow children to handle batteries.
Only use the batteries specified by the manufacturer. Only use the charger specified by the manufacturer.
Do not mix old and new batteries.
Do not mix alkaline, standard (carbon-zinc), or rechargeable (nickel-cadmium) batteries.

CHARGING THE BATTERY

- Charge the batteries no longer than 24 hours, following the instructions enclosed with the battery charger.
- Charge the battery, as the vehicle shows low power, in this way you will avoid damage to the battery.
- If you don't use your vehicle for a long period of time unplug the battery from the main wire harness of the vehicle. Remember to charge the battery at least every three months.
- Never charge the battery upside down.
- Do not forget batteries during charging! Check them periodically.
- Never use a replacement recharger or batteries unless they are approved by PEG PEREGO.
- Batteries are sealed and maintenance free.
- Battery polarity must be observed when connecting battery to wiring.

⚠ WARNING:

- BATTERIES CONTAIN TOXIC AND CORROSIVE SUBSTANCES. DO NOT TAMPER WITH THEM.
- Batteries contain an acid-based electrolyte.
- Do not make direct contact between battery terminals, as this can cause an explosion or fire.
- Charging produces explosive gases. Charge batteries in a well ventilated area away from sources of heat and flammable materials.
- Exhausted batteries are to be removed from the vehicle.
- Do not place the batteries near clothing to avoid damage.

IF A LEAK DEVELOPS

Shield your eyes. Avoid direct contact with the electrolyte, protect your hands.
Place battery in a plastic bag and follow directions listed below.

IF ELECTROLYTE COMES IN CONTACT WITH SKIN OR CLOTHING

Flush with cool water for at least 15 minutes.
See a physician at once.

IF ELECTROLYTE IS INJECTED

Give tap water, milk of magnesia or egg whites at once.
Do not induce vomiting.
See a physician at once.

DISPOSAL OF BATTERIES

Help protect the environment!
Do not throw used batteries in your regular, household trash.
Dispose of the old batteries in an approved dumping station; contact your local environmental protection agency office for further information.



INITIAL BATTERY CHARGE

- !• Remove battery and charger from packaging. Connect battery charger to a 120vac wall receptacle. Connect battery charger to battery.

ASSEMBLY INSTRUCTIONS

⚠ CAUTION:

ADULT ASSEMBLY REQUIRED.

USE CARE WHEN UNPACKING AS COMPONENTS TO BE ASSEMBLED MAY POSE A SMALL PARTS/SHARP EDGE HAZARD.

BATTERY IS INCLUDED AND MUST BE INSTALLED; see instructions 39-42

- 1 • Snap together the 2 halves of the bronze simulated engine.
- 2 • Insert the simulated engine into the vehicle, as shown in the figure.
- 3 • Press on the points shown by the arrows on the toy engine (on each side), to fasten the engine.
- 4 • Lift both rear shock absorbers, and line them up with the openings in the chassis.
- 5 • To fasten the shock absorbers to the chassis, insert the pins into the top holes on the shocks, with the tabs turned vertically (see detail).
- 6 • Finish fastening the shock absorbers by placing the plastic tool on the pins and hammering the pins all the way in.
- 7 • Snap the nut cap into place, and repeat the operation on the other three wheels.
- 8 • Attach seat by inserting black tabs on seat into slots on body. Then rotate down into place.
- 9 • Attach red seat lock by inserting through seat and into body.
- 10 • Attach black radiator piece by first inserting tabs into corresponding rectangular slots (a). Then press firmly on the upper tabs (b) so that they fully engage into their slots.
- 11 • Position front rack onto supports as shown in figure and secure with 4 screws provided.
- 12 • Apply radiator decal.
- 13 • Insert the two brackets into the openings on the radiator, as shown in the figure.
- 14 • Attach charcoal front grill to front rack by lining up connection points and snapping into place.
- 15 • Attach the silver front brush guard by lining up connection points and snapping into place.
- 16 • Fasten the grill with the 2 screws.
- 17 • Attach the two chrome decals to the headlight positions on the grill.
- 18 • Snap the two headlights onto the grill.
- 19 • Attach the chrome decal to the chassis, as shown in the figure.
- 20 • Snap the taillight into place by inserting it from the top.
- 21 • To attach folding extra seatback, insert one of the posts into the rear rack.
- 22 • Position seatback with handle down and slide peg into hole on post.
- 23 • Slide second post onto peg on seatback (a) and then press post down into position (b).
- 24 • Folding extra seatback with posts in place.
- 25 • While holding seatback and posts in position, fasten posts using screws provided.
- 26 • Connect rear rail to rear rack by inserting tabs on rail into slots on rack, rotating into place and fastening using screws provided.
- 27 • Position rear rack onto supports as shown in figure and secure with 4 screws provided.
- 28 • Snap the toy gas cap into place on the vehicle.
- 29 • Assemble handlebar/headlight unit as shown in figure.
- 30 • Apply chrome decal as shown in figure.
- 31 • Attach clear headlight lens.
- 32 • Attach black speedometer piece to headlight housing. Then apply speedometer decal.
- 33 • Attach clear speedometer lens and fasten using small screw provided.
- 34 • Slip the two handguards onto the handlebars, lining up the holes in the handguards with the holes in the handlebars.
- 35 • Fasten the hand guards with the two screws.
- 36 • Slip the handgrips onto the handlebars as shown.
- 37 • Snap handlebar into place on the vehicle.

BATTERY INSTALLATION

⚠ WARNING:

WARNING: BATTERY CHARGING AND ANY OTHER OPERATION ON THE ELECTRICAL SYSTEM MUST BE CARRIED OUT BY ADULTS ONLY. THE BATTERY CAN ALSO BE CHARGED WITHOUT REMOVING IT FROM THE VEHICLE.

- 38 • Turn the seat lock to the "unlock" position shown in the diagram, and lift the seat. NOTE: Seat has a lock and unlock position.
- 39 • Remove the battery retainer by squeezing in on the sides and sliding it free of the slot in the body.
- 40 • Slide the battery into the battery compartment.
- 41 • Connect wiring system of the vehicle (plug **A**) to the battery (plug **B**).
- 42 • Replace the battery retainer.
- 43 • Close the seat. ATTENTION: Always make sure that the seat is closed and locked after carrying out any operations inside it.

VEHICLE FEATURES AND INSTRUCTIONS FOR USE



- 44 • Exclusive **SmartPedal Technology™** feature allows for longer run times and more realistic driving. In "LOW" setting, when accelerator is pressed completely down, forward motion at 3.5 mph is activated. In "HIGH" setting, when pedal is pressed completely down, forward motion begins at 3.5 mph for a few seconds and then automatically accelerates to 7 mph. In "HIGH" setting, when pedal is released halfway, vehicle automatically "downshifts" to 3.5 mph. Brake activates automatically when the child takes his foot off the accelerator.
- 45 • ATTENTION: For safety, when the vehicle is first removed from the packing, it is in the LOW setting. Peg Perego suggests that the LOW setting be used until your child has become familiar with operating the vehicle. To adjust high-speed lockout, loosen screw.
- 46 • Then slide safety collar down into HIGH setting and replace screw.
- 47 • GEAR SHIFT LEVER: The vehicle has two directions. To use REVERSE (**R**), pull back and hold the gearshift lever. NOTE: For safety, gearshift must be held back in the reverse position.



48 • Exclusive **Red Line Nitrile Traction™**: The wheels on this vehicle feature an extra deep tread AND a special rubber traction band for incredible traction on most surfaces and a quiet ride.

49 • To raise and lower the folding extra seatback, pull up on the handle on the back of the seatback.

BATTERY RECHARGER

50 • First unlock and lift the seat.

51 • Disconnect the electrical system plug (A) from the battery plug (B) by pressing on the sides of the plugs and pulling apart.

52 • Plug the battery charger into a household electrical outlet. Connect battery plug (B) to charger plug C. NOTE: Press firmly until it snaps into place.

53 • After battery has finished charging (full charge takes 18-24 hours), disconnect battery charger from the electrical outlet and then disconnect the battery plug (B) from the charger plug (C).

54 • Reconnect electrical system plug (A) to battery plug (B). NOTE: Press firmly until it snaps into place.

55 • Close the seat. ATTENTION: Always make sure that the seat is closed and locked after carrying out any operations inside it.

BATTERY REPLACEMENT

56 • First unlock and lift the seat.

57 • Disconnect the electrical system plug (A) from the battery plug (B) by pressing on the sides of the plugs and pulling apart.

58 • Remove the battery retainer by squeezing in on the sides and sliding it free of the slot in the body.

59 • Remove old battery and replace with new battery.

60 • Replace the battery retainer.

61 • Close the seat. ATTENTION: Always make sure that the seat is closed and locked after carrying out any operations inside it.

RULES FOR SAFETY DRIVING

DON'T STOP THE FUN: purchase a spare battery to have a freshly charged back-up available.

For your child's safety: please read and follow all instructions below before operating.

HIGH SPEED

Initially we suggest using only the **LOW** speed setting and the reverse gear. Before moving into **HIGH** speed setting be sure that the child has become familiar with operating the vehicle.

• **LOW SPEED** setting (beginner drivers):

With both hands on the handlebar, press down on the accelerator pedal; the vehicle goes forward at 3.5 mph.

• **HIGH SPEED** setting (experienced drivers):

With both hands on the handlebar, press down on the accelerator pedal; the vehicle starts out at 3.5 and then goes forward at 7 mph. Let up on the accelerator pedal halfway and the vehicle will "downshift" to 3.5 mph.

• **REVERSE:**

Place the left hand on the handlebar. With the right hand holding the gearshift in reverse, press down on the accelerator pedal; the vehicle reverses at 3.5 mph. (Reverse is spring-loaded for safety).

• **BRAKE:** The electric braking system stops the vehicle automatically when your child lifts his foot off the pedal.

Teach your child the proper use of this vehicle for a safe and fun play time.

• Before starting be sure that the way is free from people and objects.

• Drive with both hands on the handlebar and keep your eyes on the road at all times.

• Stop in time to avoid accidents and immediately release pedal when stuck.

• Use the 2nd speed only after your child has the maturity and the reflexes to operate the vehicle safely.

⚠ CAUTION:

• In low speed, the vehicle has a differential effect like real cars; on smooth terrain and with one child, the two wheels may turn at different speeds, resulting in possible sliding/deceleration.

• If the vehicle is overloaded, as can happen on soft sand, mud, or very uneven ground, the overload switch will immediately disconnect the power. The power supply will be restored after a few seconds.

VEHICLE MAINTENANCE AND SAFETY

This product meets and/or exceeds all ASTM (American Society for Testing and Materials) TOY SAFETY STANDARDS, including F 963, Consumer Toy Safety Specification.

This vehicle is not intended for use on streets, around traffic or parked cars.

MAINTENANCE AND CARE

- Regularly check the conditions of the vehicle, particularly the electrical system, the plug connections, the covering caps and the charger. In case of fault, do not try to use the vehicle and the charger. For repair use only original PEG PEREGO's spare parts.
- PEG PEREGO assumes no liability if the electrical system is tampered with.
- Do not leave vehicle or batteries near sources of heat such as radiators, stoves, fireplaces, etc.
- Protect vehicle from water, rain, snow, etc.
- When operating in overload conditions, such as soft deep sand, mud or rough uneven terrain, the overload circuit breaker will automatically disconnect the power. After 10 or more seconds, the circuit breaker will automatically reset, however you must eliminate overload conditions to resume normal driving.
- Periodically lubricate (with a light weight oil) moving parts, such as wheel bearings, steering linkages, where they rotate or touch one another.
- The vehicle's surfaces can be cleaned with a damp cloth. Do not use abrasive cleaners. The cleaning must be carried out by adults only.
- Never disassemble the vehicle mechanisms or motor unless authorized by PEG PEREGO.

SAFETY

WARNING:

- To reduce the risk of injury, adult supervision is required. Never use in roadways, near motor vehicles, on or near steep inclines or steps, swimming pools or other bodies of water; always wear shoes, and never allow more than two riders.
- Surfaces that are appropriate for use: grass, gravel, hard surfaces and moderate slopes.
- Not suitable for children under the age of 5 years.
- Never use the vehicle on steep slopes or near steps or stairs. This vehicle is not suitable for use on public highways.
- Children should always wear shoes when riding in or driving a ride-in/ride-on vehicle.
- Do not allow children to place their hands, feet or any part of their body, clothing or other articles near the moving parts while vehicle is in operation.
- Do not allow the electrical components, motors, wiring, switches of your motorized vehicle to become wet and never wash it with a hose.
- Never use gasoline or other flammable substances near the vehicle.

PROBLEMS?

IF THE VEHICLE DOES NOT OPERATE?

- **When operating in overload conditions, such as running the vehicle against a fixed object, through soft deep sand or mud, or over rough or uneven terrain, the overload circuit breaker will automatically disconnect the power. After 10 or more seconds, the circuit breaker will automatically reset, however you must eliminate overload conditions to resume normal driving.**
- Check that all plugs are properly connected.
- Check electrical switches. Replace if necessary.
- Check that the battery is connected to the electrical system.

IF THERE IS NO POWER?

- Fully recharge the battery. If the problem persists, check with an Authorized PEG PEREGO Service Center.

CUSTOMER SERVICE

For your convenience, PEG PEREGO offers after-sales service, directly or through a network of authorized service centers for repairs or replacement parts.

If you have any questions about your Peg Perego vehicle, please call our toll-free service lines at;

U.S.A , call 1-800-728-2108

CANADA, call 1-800-661-5050

Trained customer service representatives are available to take your call in English or Spanish.

PEG PEREGO® le agradece que haya elegido este producto. Hace más de 60 años que PEG PEREGO lleva a pasear a los niños: al nacer, con sus famosos coches-cuna y coches de paseo, después con los fantásticos vehículos de juguete a pedal y con la batería.

Descubre la gama completa de los productos, las novedades y otras informaciones acerca del mundo Peg Perego en nuestra página Web www.pegperego.com

INFORMACIÓN IMPORTANTE

- Lea este manual de instrucción cuidadosamente para aprender el uso del vehículo y para enseñar su conducir seguro y agradable del niño. Guarde por favor este manual (con su recibo original de las ventas) para el uso como referencia en el futuro.
- **NO VUELA SU VEHÍCULO AL ALMACÉN. Este producto no se puede volver para un reembolso después de que se haya utilizado. Si usted tenga los preguntas, necesita piezas de recambio o necesita ayuda, llámenos gratis. USA: 1-800-225-1558**
- Este producto cumple con y/o sobrepasa los ESTÁNDARES DE SEGURIDAD ASTM TOY, incluido el F 963, Especificaciones de seguridad en juguetes para consumidores y C.R.C, c.93 I, el Regulaciones Peligrosas Canadienses De los Productos (Juguetes).
- Herramientas necesitadas para el ensamblaje: destornilladores de la Phillips medio y pequeño (no incluido)
- Su vehículo nuevo se premonta parcialmente. Requiere a ensamblaje de un adulto. Puesto a un lado por favor por lo menos 60 minutos para el ensamblaje.
- Antes de utilizar el vehículo por primera vez, cargar la batería durante 18 horas. No respetar este procedimiento podría causar daños irreversibles a la batería, anulando su garantía.
- Utilice solamente con la clavija incluida Peg Perego 24 voltio baterías lead-acid, recargables y una clavija Peg Perego de 24 voltio cargadores (ambos incluidos).

•Años 5+

•Peso transportable 150 lbs/68 Kg

- No exceda la capacidad total máxima del peso de 150 libras (68 Kg).

Contenido:

- 1 Polaris Sportsman 850 Twin vehículo de los niños -- ensamblado parcialmente
- 1 batería sellada recarable de plomo ácido de 24 V
- 1 cargador de 24 V
- 2 motor de 350 W -- instalado previamente
- dotación física del montaje
- piezas que se montaje
- calcomanías

- Graduación de BAJA velocidad: 3.5 mph - Graduación de ALTA velocidad: 7 mph - Marcha atrás: 3.5 mph

- Para la seguridad, se ha preestablecido este vehículo así que funcionará solamente adentro graduación de BAJA velocidad. Vea los pasos de progresión 45-47 para quitar el cierre.
- Para evitar el dañar de los motores y de los engranajes, enseñe a su niño a parar la dirección de la conmutación del befor del vehículo.
- Utilice este vehículo al aire libre SOLAMENTE. La mayoría del suelo interior puede ser dañado montando este vehículo dentro. Peg Perego no será responsable de daño al suelo si el vehículo se utiliza dentro
- Peg Perego se reserva el derecho de aportar modificaciones a sur productos. El precio, el manual adjunto, los procesos o lugares de fabricación o una combinación de estos factores pueden provocar cambios sin previo aviso y sin que ello suponga ninguna obligación para Peg Perego.

⚠ PRECAUTION:

LOS VEHICULOS ELECTRICOS NO SON RECOMENDABLE PARA NIÑOS MENORES DE 3 AÑOS. COMO TODOS LOS PRODUCTOS ELECTRICOS, CUANDO SE ESTA MANEJANDO OBSERVE LAS MEDIDAS DE PRECAUCION PARA PREVENIR UN CHOQUE ELECTRICO. EL CARGADOR ESTA INCLUIDO. 120 VOLTS, 60 HZ, 33W DE ENTRADA, 24 VOLTS (DC) DE SALIDA.

⚠️ ADVERTENCIAS:

Las baterías deben ser cargadas sólo por personas adultas.

No deje que los niños jueguen con las baterías.

Use sólo las baterías especificadas por el fabricante. Use solamente el cargador especificado por el fabricante.

No mezcle baterías viejas y nuevas.

No mezcle baterías alcalinas, estándar (carbono-zinc) o recargables (níquel - cadmio).

CARGA DE LAS BATERÍAS

- Cargar la batería siguiendo las instrucciones incluidas en el cargador y no superar en ningún caso las 24 horas. No respetar estos tiempos puede acortar la vida de las baterías.
- Cargue las baterías a tiempo, apenas el vehículo pierda velocidad. De este modo se evitarán otros daños.
- Si el vehículo se queda sin usarlo por largo tiempo, recuérdese de cargar la batería y de mantenerla desconectada de la instalación; repita la operación de carga al menos cada tres meses.
- La batería no debe recargarse en posición invertida.
- ¡No se olvide de las baterías que se están cargando! Contrólelas periódicamente.
- Use sólo el cargador en dotación y las baterías originales PEG PEREGO.
- Las baterías están selladas y no necesitan de mantenimiento.
- Inserte las baterías con la correcta polaridad.

⚠️ ATENCIÓN:

• LAS BATERÍAS CONTIENEN SUBSTANCIAS TÓXICAS CORROSIVAS.

NO SE DEBEN MANIPULAR ABUSIVAMENTE.

• Las baterías contiene electrolito de base ácida.

• No provoque el contacto directo entre los terminales de la batería, riesgo de explosión o incendio.

• Mientras se están cargando, las baterías producen gas explosivos. Cárguelas en un lugar bien ventilado, lejos de fuentes de calor y materiales inflamables.

• Las baterías agotadas se deben sacar del vehículo.

• No coloque las baterías sobre prendas porque se podrían dañar.

SI HAY UNA PÉRDIDA

Protéjase los ojos. Evite el contacto directo con el electrolito: proteja sus manos.

Ponga la batería en una bolsa de plástico y siga las instrucciones para la eliminación de baterías.

SI PIEL Y OJOS ENTRAN EN CONTACTO CON EL ELECTROLITO

Lave abundantemente con agua corriente durante al menos 15 minutos.

Consultar un médico inmediatamente.

SI SE INGIERE ELECTROLITO

Tome pequeños sorbos de agua, leche de magnesia o clara de huevo.

No provocar el vómito.

Consultar un médico inmediatamente.

ELIMINACIÓN DE BATERÍAS

Ayude a proteger el medio ambiente.

Las baterías usadas no se deben tirar junto con la basura doméstica.

Se pueden entregar a un centro de recogida de baterías usadas o de eliminación de residuos especiales; infórmese en su Ayuntamiento.

Pb



PRIMERA CARGA DE LA BATERÍA

!• Quite la batería y el cargador del empaquetado. Conecte el cargador de la batería con un socket doméstico. Conecte el cargador de batería con la batería.

INSTRUCCIONES DE MONTAJE

⚠ PRECAUTION:

REQUIERE MONTAJE DE UN ADULTO.

ALGUNOS COMPONENTES AL SER ENSAMBLADOS PODRÍAN TENER PARTES PEQUEÑAS/RIESGO POR BORDES CONTANTES.

LA BATERÍA VIENE INCLUIDA, SOLO NECESITA INSTALARSE. Vea instrucciones 39-42

- 1 • Conecte juntas las dos mitades bronce de el motor simulado.
- 2 • Introducir el motor de juguete como indica la figura.
- 3 • Presionar el motor de juguete en los puntos indicados por las flechas (desde ambos lados) para fijarlo.
- 4 • Levantar ambas suspensiones traseras hasta alinearlas con los agujeros de la carrocería.
- 5 • Para fijar las suspensiones a la carrocería, introducir en los agujeros superiores de las suspensiones los pivotes de fijación con las lengüetas hacia arriba (véase el detalle).
- 6 • Completar la fijación colocando la herramienta de plástico sobre los pivotes y martillando hasta que se metan completamente.
- 7 • Introducir a presión el cubrerruedas. Repetir la operación para las otras 3 ruedas.
- 8 • Instale el asiento introduciendo las lengüetas negras del asiento en las ranuras del armazón. Luego, bájelo girándolo para colocarlo en su lugar.
- 9 • Instale el seguro rojo del asiento introduciéndolo a través del asiento y en el armazón.
- 10 • Conecte la pieza de el radiador negro, primero introduciendo los pestillos en los espacios rectangulares (a). Presione firme los pestillos de arriba (b) para que se conecte por completo en los espacios.
- 11 • Posicione parrilla/riel delantera en los soportes como indica en la figura y asegure con 4 tornillos ya incluidos.
- 12 • Aplique la calcomanía del radiador.
- 13 • Introduzca las dos clavijas en las aberturas del radiador, como se ilustra en la figura.
- 14 • Instale la rejilla delantera de color gris carbón en el bastidor frontal, alineando los puntos de conexión e introduciéndola y trabándola en su lugar.
- 15 • Instale la parrilla frontal de protección, de color plateado, alineando los puntos de conexión e introduciéndola y trabándola en su lugar.
- 16 • Fijar la rejilla con los 2 tornillos.
- 17 • Aplicar los dos adhesivos plateados en los alojamientos de los faros del cubrerradiador.
- 18 • Aplicar a presión los dos faros al cubrerradiador.
- 19 • Aplicar el adhesivo plateado en el alojamiento de la carrocería como indica la figura.
- 20 • Aplicar a presión el faro trasero metiéndolo desde arriba hacia abajo.
- 21 • Para instalar el respaldar plegable adicional, introduzca uno de los postes en el bastidor trasero.
- 22 • Coloque el respaldar del asiento con el asa hacia abajo y deslice la espiga en el orificio del poste.
- 23 • Deslice el segundo poste en la espiga del respaldar del asiento (a) y presione el poste hacia abajo para colocarlo en su lugar (b).
- 24 • Respalda plegable adicional con los postes en su sitio.
- 25 • Mientras sujeta en su sitio el respaldar y los postes, fije los postes con los tornillos que se suministran.
- 26 • Conecte la barra posterior al bastidor trasero introduciendo las lengüetas de la barra en las ranuras del bastidor, luego gírela hasta su lugar y fijela con los tornillos que se suministran.
- 27 • Posicione parrilla/riel delantera en los soportes como indica en la figura y asegure con 4 tornillos ya incluidos.
- 28 • Poner a presión el tapón del depósito.
- 29 • Arme la unidad del manillar/faro como se ilustra en la figura.
- 30 • Aplique la calcomanía cromada como se ilustra en la figura.
- 31 • Asocie la lente clara de la linterna.
- 32 • Asocie el pedazo negro del velocímetro a la cubierta de la linterna. Entonces aplique la etiqueta del velocímetro.
- 33 • Asocie la lente clara del velocímetro y sujete con el tornillo pequeño proporcionado.
- 34 • Meter los dos paramanos alineando los agujeros de los paramanos a los agujeros del manillar.
- 35 • Fijar los paramanos poniendo los dos tornillos.
- 36 • Meter las empuñas en los brazos del manillar como indica la figura.
- 37 • Meter el manillar a presión.

INSTALACIÓN DE LA BATERÍA

⚠ ATENCIÓN:

LA OPERACIÓN DE CARGA DE LA BATERÍA ASÍ COMO CUALQUIER INTERVENCIÓN ELÉCTRICA, DEBEN SER REALIZADAS ÚNICAMENTE POR ADULTOS.

LA BATERÍA TAMBIÉN SE PUEDE CARGAR SIN QUITARLA DEL JUGUETE.

SÓLO PARA EL BRASIL: TENSIÓN DEL CARGADOR: 127V - 60 HZ. OBSERVACIÓN: NO UTILIZAR EL CARGADOR DE LA BATERÍA CON UNA TENSIÓN DE 220V.

- 38 • Poner el bloque del asiento en posición de "unlock" (desbloqueado) indicada en el esquema y luego levantar el asiento. Nota: el asiento tiene posición de bloqueado (lock) y desbloqueado (unlock).
- 39 • Retire el dispositivo de retención de la batería apretándolo en los lados y deslizándolo para zafarlo de la ranura del armazón.
- 40 • Deslice la batería para meterla en su compartimiento.
- 41 • Conecte el sistema de cables del vehículo (enchufe A) a la batería (enchufe B).
- 42 • Vuelva a colocar el dispositivo de retención de la batería.
- 43 • Baje el asiento. Al terminar la operación recordar de cerrar y fijar el asiento con el tornillo de seguridad.

CARACTERÍSTICAS Y USO DEL VEHÍCULO



- 44 • La característica exclusiva **SmartPedal Technology™** permite tiempos de recorrido más largos y una sensación de manejo más realista. En la graduación "BAJA", cuando se pisa el acelerador hasta el fondo, se activa el movimiento hacia delante a 3.5 mph. En la graduación "ALTA", cuando se pisa el pedal hasta el fondo, se activa el movimiento hacia delante a 3.5 mph durante algunos segundos y, luego, se acelera automáticamente hasta 7 mph. En la graduación "ALTA", cuando se suelta el pedal hasta el punto medio, el vehículo reduce automáticamente la marcha a 3.5 mph. El freno se activa automáticamente cuando el niño quita el pie del acelerador.
- 45 • **ADVERTENCIA:** Por razones de seguridad, cuando se desempaca el vehículo, éste se encuentra en la graduación BAJA. Peg Perego sugiere que se use la graduación BAJA hasta que el niño se familiarice con el manejo del vehículo. Para ajustar el bloqueo de alta velocidad, afloje el tornillo.
- 46 • Luego, deslice el collarín de seguridad hacia abajo, a la graduación ALTA y vuelva a ajustar el tornillo.

47 • **PALANCA DE CAMBIOS:** El vehículo marcha en dos direcciones. Para usar la marcha de **RETROCESO (R)**, tire de la palanca hacia atrás y sosténgala en esa posición. **NOTA:** Por razones de seguridad, la palanca de cambios debe sujetarse en la posición de retroceso.



- 48 • Característica exclusiva **Red Line Nitrile Traction™**: Las ruedas del vehículo tienen una banda de rodamiento súper profunda y una banda de tracción de caucho especial para lograr una tracción increíble en la mayoría de superficies y una marcha suave.
- 49 • Para subir o bajar el respaldar plegable del asiento, tire del asa de la parte posterior del respaldar.

CARGA DE LA BATERÍA

- 50 • Primero destrabe y levante el asiento.
- 51 • Desconectar la clavija **A** de la instalación eléctrica de la clavija **B** de la batería presionando lateralmente.
- 52 • Meter la clavija del cargador de batería en un enchufe doméstico siguiendo las instrucciones adjuntas. Conectar la clavija **B** con la clavija **C** del cargador de baterías.
- 53 • Al terminar la carga desconectar el cargador del enchufe doméstico y luego desconectar la clavija **C** de la clavija **B**.
- 54 • Meter a fondo, hasta oír clic, la clavija **B** en la clavija **A** hasta que se ponga en su lugar.
- 55 • Baje el asiento. Al terminar la operación recordar de cerrar y fijar el asiento con el tornillo de seguridad.

CAMBIO DE LA BATERÍA

- 56 • Primero destrabe y levante el asiento.
- 57 • Desconectar la clavija **A** de la instalación eléctrica de la clavija **B** de la batería presionando lateralmente.
- 58 • Quite el detenedor de la batería exprimiendo adentro en las caras y resbalándolo libremente de la ranura en el cuerpo.
- 59 • Retire la batería usada y cámbiela por una nueva.
- 60 • Substituya el detenedor de la batería.
- 61 • Baje el asiento. Al terminar la operación recordar de cerrar y fijar el asiento con el tornillo de seguridad.

REGLAS PARA CONDUCIR EN CONDICIONES DE SEGURIDAD

DIVERTIMIENTO SIN INTERRUPCIÓN: Hay un set de baterías recargadas de repuesto puesto a disposición y listo para su uso.

Para la seguridad del niño: antes de accionar el vehículo, leer y seguir atentamente las siguientes instrucciones.

ALTA VELOCIDAD

Sugerimos que inicialmente se use únicamente la graduación de **BAJA** velocidad y la marcha de retroceso. Antes de pasar a la graduación de **ALTA** velocidad, asegúrese de que el niño esté familiarizado con el manejo del vehículo.

• Graduación de **BAJA** velocidad (conductores novatos):

Con ambas manos en el manillar, pise el pedal del acelerador; el vehículo se mueve hacia adelante a 3.5 mph/5.6 Km/h.

• Graduación de **ALTA** velocidad (conductores expertos):

Con ambas manos en el manillar, pise el pedal del acelerador; el vehículo empieza a moverse a 3.5 mph/5.6 Km/h, luego de algunos segundos avanza a 7 mph/11.3 Km/h. Cuando suelte el pedal del acelerador hasta el punto medio, el vehículo reduce automáticamente la marcha a 3.5 mph/5.6 Km/h.

• **MARCHA ATRÁS:**

Bajar con una mano la palanca del cambio. Colocar la otra mano sobre el manillar y pisar el acelerador. El vehículo retrocede a una velocidad de aproximadamente 3.5mph/5.6 Km/h.

• **FRENO:**

El sistema eléctrico de frenado bloquea automáticamente el vehículo cuando se levanta el pie del pedal del acelerador.

Enseñe a su niño el uso correcto del vehículo para que maneje en condiciones de seguridad y se divierta.

• Antes de partir, verifique que el recorrido esté libre de personas o cosas.

• Manejar con las manos sobre el manillar y mirar siempre el camino.

• Frenar a tiempo para evitar choques.

• Insertar la 2a velocidad solamente cuando el niño ha aprendido correctamente a usar el manillar, la primera velocidad y el freno.

⚠ ¡ATENCIÓN!

• **En primera velocidad, el vehículo está dotado de efecto diferencial como los verdaderos automóviles: en terrenos lisos y con un solo niño, las dos ruedas pueden tener velocidades diferentes con posibilidad de patinaje/deceleración de las mismas.**

MANTENIMIENTO Y CUIDADOS DEL VEHICULO

Este producto cumple con y/o sobrepasa los ESTÁNDARES DE SEGURIDAD ASTM TOY, incluido el F 963, Especificaciones de seguridad en juguetes para consumidores.
Este vehículo no ha sido fabricado para ser usado en la vía pública, con vehículos en movimiento o aparcados.

MANTENIMIENTO Y CUIDADOS

- Controlare periódicamente el estado del vehículo, en especial la instalación eléctrica, las conexiones de los enchufes, las caperuzas de protección y el cargador. En caso de defectos comprobados, el vehículo eléctrico y el cargador no deben utilizarse. Para las reparaciones utilizar sólo piezas de recambio originales PEG PEREGO.
- PEG PEREGO no se asume ninguna responsabilidad en caso de uso indebido de la instalación eléctrica.
- No dejare las baterías o el vehículo cerca de fuentes de calor como radiadores, caloríferos, chimeneas, etc.
- Proteger el vehículo contra el agua, lluvia, nieve, etc.;
- Si el vehículo funciona en condiciones de sobrecarga, por ejemplo sobre arena blanda, barro o terrenos muy accidentados, el interruptor de la sobrecarga desconectará inmediatamente la potencia. El suministro de corriente se reanudará una vez eliminadas las condiciones de sobrecarga.
- Lubricar periódicamente (con aceite ligero) las partes móviles como cojinetes, dirección, etc., donde girar o están en contacto entre ellas.
- Las superficies del coche deben limpiarse con un paño húmedo y, si es necesario, con productos adecuados de uso doméstico.
Las operaciones de limpieza deben ser realizadas únicamente por adultos.
- No desmontar nunca los mecanismos del vehículo o los motores, sin la autorización de PEG PEREGO.

SEGURIDAD

⚠ ¡ATENCIÓN!

- Para reducir el riesgo de heridas, la supervisión de un adulto es siempre necesaria. No usar nunca en carreteras, cerca de vehículos a motor, o en pendientes pronunciadas o cerca de escaleras, piscinas u otras superficies de agua; los niños deben usar siempre zapatos durante el uso del vehículo. El vehículo esta construido para dos niños: no deje que lo use mas de dos niños.
- Se puede usar sobre superficies lisas o terrenos irregulares: hierba, grava, in blinaciones de hasta el 17%.
- No adecuado para niños de edad inferior a 5 años: contiene piezas pequeñas que podrían ser tragadas o inhaladas.
- No usar el vehículo en vías públicas, donde hay tránsito y coches estacionados, en pendientes pronunciadas, cerca de escaleras.
- Los niños deben usar siempre zapatos durante el uso del vehículo.
- Cuando el vehículo está funcionando, preste atención para que los niños no metan las manos, los pies u otras partes del cuerpo, cerca de las partes en movimiento.
- No mojar nunca los componentes eléctricos del vehículo como motores, cableado, botones, etc.
- No usar gasolina u otras sustancias inflamables cerca del vehículo.

¿PROBLEMAS?

¿EL VEHÍCULO NO FUNCIONA?

- **Si el vehículo funciona en condiciones de sobrecarga, por ejemplo sobre arena blanda, barro o terrenos muy accidentados, el interruptor de la sobrecarga desconectará inmediatamente la potencia. Después de unos 10 segundos se reanudará el suministro de corriente, pero deben eliminarse las condiciones de sobrecarga.**
- Controlar que todos los enchufes están correctamente conectados.
- Controlar los interruptores eléctricos y si fuera necesario sustituirlos.
- Controlar que la batería esté conectada a la instalación eléctrica.

¿EL VEHÍCULO NO TIENE POTENCIA?

- Cargar la baterías. Si después de cargarlas el problema persiste hacer controlar las baterías y el cargador de baterías en un centro de asistencia autorizado Peg Perego.

SERVICIO DE ASISTENCIA

Para su conviencia, PEG PEREGO ofrece un servicio de asistencia post-venta, directamente o a través de una red de centros de asistencia técnica autorizados, para eventuales reparaciones o sustituciones y venta de recambios originales.

Si usted tiene cualesquiera preguntas sobre su vehículo de Peg Perego, llame por favor nuestras líneas de servicio gratis.

U.S.A , 1-800-225-1558

Los representantes técnico de cliente entrenados están disponibles para tomar su llamada en español o inglés.

PEG PEREGO® vous remercie de votre confiance et vous félicite d'avoir choisi ce produit. Depuis plus de 60 ans, PEG PEREGO emmène en promenade les enfants: à peine nés, avec ses fameux landaus et poussettes et plus tard, avec ses fantastiques véhicules à pédales et à batterie.

Découvrez sur notre site la gamme complète des produits, les nouveautés et d'autres renseignements sur le monde Peg Perego. www.pegperego.com

L'INFORMATION IMPORTANTE

- Lisez ce manuel d'instruction soigneusement pour apprendre l'utilisation du véhicule et pour enseigner votre pilote sûr et agréable d'enfant. Veuillez garder ce manuel (avec votre réception initiale de ventes) pour l'usage comme référence à l'avenir.
- **NE RENVOYEZ PAS VOTRE VÉHICULE À LA MÉMOIRE. Ce produit ne peut pas être retourné pour un remboursement après qu'il ait été utilisé. Si vous avez des questions, avez besoin des pièces de recharge ou avez besoin d'aide, appelez-nous en service libre appel à 1-800-661-5050.**
- Ce produit répond et/ou dépasse tous les CONDITIONS DE SECURITE ASTM TOY et il est conforme à la NORME DE SURETE F 963 pour les utilisateur des jouets électriques et C.R.C, c.931, le Règlements Dangereux Canadiens de Produits (Jouets).
- Outils requis pour l'assemblage: tournevis de Phillips moyen et petit (non inclus)
- Votre nouveau véhicule est partiellement prémonté. Il exige l'assemblage par un adulte. S'il vous plaît mis de côté au moins 60 minutes pour l'assemblage.
- Avant d'utiliser le véhicule pour la première fois, recharger le batterie pendant 18 heures. La non-observation des instructions dans cette brochure peut entraîner le risque des dommages irréversibles à la batterie.
- Utiliser seulement avec la batterie rechargeable Peg Perego de 24 Volts aux plombo sigillé et chargeurs Peg Perego de 24 Volts (tous les deux inclus).

• Ans 5+

• Poids transportable 150 lbs /68 Kg

- N'excédez pas toute la capacité maximum de poids de 150 livres (68 Kg).

Table des matières:

- 1 Polaris Sportsman 850 Twin véhicule des enfant -- partiellement réuni.
- 1 batterie rechargeable sigillée au plomb de 24V -- dans l'emballage
- 1 chargeur de 24V
- 2 motore de 350W -- préinstallé
- matériel de montage
- pièces à montage
- decalcomanies
- Réglage à vitesse FAIBLE: 3.5 mph/5.6 Km/h - Réglage ÉLEVÉ de la vitesse: 7 mph/11.3 Km/h - Marche arriere: 3.5 mph/5.6 Km/h
- Pour la sûreté, ce véhicule a été pré-établi ainsi il fonctionnera seulement dedans réglage à vitesse FAIBLE. Voir les étapes 45-47 pour retirer le verrouillage.
- Pour empêcher endommager les moteurs et les vitesses, enseignez votre enfant à cesser la direction de commutation de befor de véhicule.
- Utilisez ce véhicule dehors SEULEMENT. La plupart de plancher intérieur peut être endommagé en montant ce véhicule à l'intérieur. Peg Perego ne sera pas responsable des dommages au plancher si le véhicule est utilisé à l'intérieur.
- Peg Perego pourra apporter à tout moment des modifications aux modèles décrits dans cette publication, pour des raisons de nature technique ou commerciale.

⚠ ATTENTION:

VÉHICULE ÉLECTRIQUE NON RECOMMANDÉ POUR LES ENFANTS DE MOINS DE 3 ANS. COMME POUR TOUS LES PRODUITS ÉLECTRIQUES, DES PRÉCAUTIONS DOIVENT ÊTRE PRISES PENDANT LE MANIEMENT ET L'UTILISATION POUR PRÉVENIR LES CHOCS ÉLECTRIQUES. CHARGEUR DE BATTERIE INCLU. 120 VOLT, 60HZ, 33W, 24 VOLT (c.a.) EN SORTIE.

⚠ PRECAUTION:

Les batteries ne doivent être rechargées que par ou sous la surveillance d'adultes.

Ne pas laisser les enfants jouer avec les batteries.

Utiliser uniquement le chargeur de batterie fourni et les batteries originales PEG PEREGO.

Ne pas utiliser simultanément des batteries neuves et usagées.

Ne pas utiliser simultanément des batteries alcalines standard (zinc-carbone) ou rechargeables (nickel-cadmium).

RECHARGEMENT DES BATTERIES

- Charger les batteries sans dépasser les 24 heures et en suivant les instructions jointes au chargeur de batterie.
- Recharger les batteries à temps, dès que le véhicule perd de la vitesse, pour éviter de les endommager.
- Si on laisse le véhicule arrêté pendant un long intervalle, se rappeler de recharger la batterie et de la laisser débranchée de l'installation; répéter l'opération de rechargement tous les trois mois au moins.
- La batterie ne doit pas être rechargée retournée.
- Ne pas oublier la batterie en rechargement! Contrôler périodiquement.
- Utiliser exclusivement le type de batteries et de chargeur spécifié par PEG PEREGO.
- Les batteries doivent être mises en place avec la polarité correcte.
- Les batteries sont scellées et n'exigent pas de maintenance.

⚠ ATTENTION:

- LES BATTERIES CONTIENNENT DES SUBSTANCES TOXIQUES ET CORROSIVES. NE PAS LES OUVRIR.
- Les batteries contiennent des électrolytes à base d'acide.
- Ne pas provoquer de contact direct entre les plots de la batterie: risque d'explosion et d'incendie.
- Pendant le rechargement, la batterie produit des gaz. Recharger la batterie dans un lieu bien aéré, loin de toute source de chaleur et de matériaux inflammables.
- Les batteries déchargées doivent être enlevées du véhicule.
- Eviter que les batteries entrent en contact avec les vêtements: ceux-ci pourraient s'abîmer.

EN CAS DE FUITE

Se protéger les yeux. Eviter tout contact direct avec l'électrolyte et se protéger les mains. Mettre la batterie dans un sac en plastique et suivre les instructions sur l'élimination des batteries.

SI LA PEAU OU LES YEUX ENTRENT EN CONTACT AVEC L'ELECTROLYTE

Laver abondamment les parties concernées à l'eau courante (pendant 15 minutes au moins).

Consulter immédiatement un médecin.

EN CAS D'INGESTION DE ELECTROLYTE

Boire à petites gorgées de l'eau, du lait de magnésie ou de l'albumen d'œuf.

Ne pas provoquer de vomissement.

Consulter immédiatement un médecin.

ELIMINATION DES BATTERIES

Contribuons à la sauvegarde de l'environnement.

Les batteries usées ne doivent pas être jetées dans les ordures ménagères.

On peut les déposer dans un centre de récupération de batteries usées ou d'élimination de déchets spéciaux; s'informer à la mairie.

Pb



PREMIERE CHARGE DE BATTERIE

- Retirez la batterie et le chargeur de l'emballage. Reliez le chargeur de batterie à un plot domestique. Reliez le chargeur de batterie à la batterie.

INSTRUCTIONS DE MONTAGE

⚠ ATTENTION:

ASSEMBLAGE PAR UN ADULTE REQUIS. PRENDRE GARDE AU MOMENT DE DEBALLER CAR LES COMPOSANTES À ASSEMBLER PEUVENT COMPORTER UN DANGER DE PETITES PIÈCES OU DE BORDS TRANCHANTS.

BATTERIE EST INCLUS ET DOIT ÊTRE INSTALLÉ; VOIR LES INSTRUCTIONS 39-42

- 1 • Connecter les deux moitiés du moteur simulé bronze ensemble.
- 2 • Insérer le moteur factice dans le véhicule, comme indiqué sur la figure.
- 3 • Faire pression sur les points désignés par les flèches (des deux côtés) pour fixer le moteur factice.
- 4 • Soulever les deux suspensions arrières jusqu'à ce qu'elles soient alignées avec les trous de la coque.
- 5 • Pour fixer les suspensions à la coque, insérer dans les trous supérieurs des suspensions les pivots de fixation avec les languettes orientées verticalement (voir détail).
- 6 • Positionner l'outil en plastique sur les pivots et faire entrer complètement les pivots. Fixation terminée.
- 7 • Positionner le cache écrou et appuyer. Reproduire les opérations décrites pour les autres 3 roues.
- 8 • Fixez le siège en insérant les onglets noirs situés sur le siège dans les fentes de la carrosserie. Puis faites tourner celui-ci sur lui-même.
- 9 • Fixez le verrou du siège rouge en l'insérant dans le siège et dans la carrosserie.
- 10 • Attacher le radiateur noir en insérant les languettes dans les fentes correspondantes (a). Ensuite appuyer fermement sur le languettes du haut (b) pour qu'elles soient totalement insérées dans leurs fentes.
- 11 • Placer le rail et le support avant sur les supports comme démontré au schéma et visser en place en utilisant les quatre vis ci-incluses.
- 12 • Appliquez le décalque du radiateur.
- 13 • Insérez les deux tiges dans les ouvertures situées sur le radiateur, tel qu'indiqué sur le schéma.
- 14 • Fixez la calandre avant de couleur fusain au support avant en alignant les points de raccord et enclenchez-la en place.
- 15 • Fixez la grille de protection avant argentée en alignant les points de raccord et enclenchez-la en place.
- 16 • Fixer le cache avec les 2 vis.
- 17 • Appliquer les deux rubans adhésifs argentés dans les logements des feux du cache.
- 18 • Encliqueter les deux feux du cache.
- 19 • Appliquer le ruban adhésif argenté dans le logement de la coque, comme indiqué sur la figure.
- 20 • Encliqueter le feu arrière en l'insérant du haut vers le bas.
- 21 • Fixez le siège arrière supplémentaire pliant en insérant l'un des montants dans le support arrière.
- 22 • Placez la poignée du siège arrière face vers le bas et glissez la cheville dans le trou du montant.
- 23 • Glissez le deuxième montant sur la cheville du siège arrière (a) et appuyez sur le montant pour le mettre en place (b).
- 24 • Placez le siège arrière supplémentaire pliant en place avec les montants.
- 25 • Tout en maintenant le siège arrière et les montants en place, fixez les montants à l'aide des vis fournies.
- 26 • Reliez la rampe arrière au support arrière en insérant les onglets situés sur la rampe dans les fentes du support, dans un mouvement de rotation et en la fixant à l'aide des vis fournies.
- 27 • Placer le rail et le support avant sur les supports comme démontré au schéma et visser en place en utilisant les quatre vis ci-incluses.
- 28 • Pressionner le bouchon du réservoir.
- 29 • Assemblez le guidon et les phares tel que l'indique l'illustration.
- 30 • Appliquez le décalque de chrome tel que l'indique l'illustration.
- 31 • Attachez l'objectif clair de phare.
- 32 • Attachez le morceau noir de tachymètre au logement de phare. Appliquez alors le décalque de tachymètre.
- 33 • Attachez l'objectif clair de tachymètre et attachez à l'aide de la petite vis fournie.
- 34 • Insérer les deux poignées. Pour cela, aligner les trous des poignées avec ceux du guidon.
- 35 • Fixer les poignées en vissant les deux vis.
- 36 • Insérer les poignées sur les bras du guidon.
- 37 • Encliqueter le guidon du véhicule.

INSTALLATION DE LA BATTERIE

⚠ ATTENTION:

L'OPÉRATION DE CHARGE DES BATTERIES ET TOUTES AUTRES INTERVENTIONS SUR L'ÉQUIPEMENT ÉLECTRIQUE DOIVENT ÊTRE EFFECTUÉES EXCLUSIVEMENT PAR DES ADULTES. IL EST POSSIBLE DE CHARGER LA BATTERIE SANS LA DÉMONTER DU JOUET.

- 38 • Faire pivoter le bloc de la selle dans la position indiquée sur le schéma, puis soulever la selle. REMARQUE: lock: la selle est bloquée ; unlock: la selle est débloquée.
- 39 • Insérer à fond, jusqu'à entendre le dé clic, la fiche B dans la fiche A. Une fois les opérations terminées, toujours penser à fermer et fixer le siège avec la vis de sécurité.
- 40 • Glissez la pile dans le compartiment prévu.
- 41 • Branchez le système de câblage du véhicule (prise A) à la pile (prise B).
- 42 • Remettez le mécanisme de retenue de la pile en place.
- 43 • Refermez le siège. Une fois les opérations terminées, toujours penser à fermer et fixer le siège avec la vis de sécurité.

CARACTÉRISTIQUES ET EMPLOI DU VÉHICULE



- 44 • La caractéristique exclusive à SmartPedal Technology™ permet des durées de fonctionnement prolongées et une conduite plus réaliste. Lorsqu'on appuie à fond sur la pédale d'accélération et que le véhicule se trouve en mode de réglage « FAIBLE », il est propulsé vers l'avant à 3,5 mi/h. Lorsqu'on appuie à fond sur la pédale d'accélération et que le véhicule se trouve en mode de réglage « ÉLEVÉ », il est propulsé vers l'avant à 3,5 mi/h pendant quelques secondes, puis accélère automatiquement à 7 mi/h. En mode de réglage « ÉLEVÉ », le véhicule « rétrograde » automatiquement à 3,5 mi/h lorsqu'on appuie jusqu'à mi-chemin sur la pédale d'accélération. Les freins s'activent automatiquement lorsque l'enfant retire son pied de la pédale de l'accélérateur.
- 45 • ATTENTION : pour des raisons de sécurité, lorsque le véhicule est retiré pour la première fois de l'emballage, il est réglé à la position FAIBLE. Peg Perego suggère d'utiliser le réglage FAIBLE jusqu'à ce que votre enfant connaisse bien le fonctionnement du véhicule. Afin de régler le verrouillage de vitesse élevée, dévissez la vis.
- 46 • Puis glissez le collier de sécurité au réglage ÉLEVÉ et remplacez la vis.
- 47 • LEVIER DE CHANGEMENT DE VITESSE : le véhicule comporte deux directions. Pour vous servir de la MARCHÉ ARRIÈRE (R), retirez et maintenez le levier de changement de vitesse. REMARQUE : pour des raisons de sécurité, le levier doit être maintenu dans la position de marche arrière.



- 48 • **Red Line Nitrite Traction™** exclusif : les roues de ce véhicule comportent une bande de roulement très profonde ET une bande de traction particulière en caoutchouc qui permettent une traction incroyable sur la plupart des surfaces et vous procurent une promenade paisible.
- 49 • Afin d'élever et d'abaisser le siège arrière supplémentaire pliant, tirez sur la poignée située à l'arrière du siège.

CHARGE DE LA BATTERIE

- 50 • Déverrouillez d'abord le siège, puis soulevez-le.
- 51 • Débrancher la fiche **A** de l'installation électrique de la fiche **B** de la batterie en appuyant latéralement.
- 52 • Insérer la fiche du chargeur de batterie dans une prise domestique et suivre les instructions jointes au chargeur. Brancher la fiche **B** à la fiche **C** du chargeur de batterie.
- 53 • Lorsque la batterie est chargée, retirer le chargeur de batterie de la prise domestique, puis débrancher la fiche **C** de la fiche **B**.
- 54 • Insérer à fond, jusqu'à entendre le déclic, la fiche **B** dans la fiche **A**.
- 55 • Refermez le siège. Une fois les opérations terminées, toujours penser à fermer et fixer le siège avec la vis de sécurité.

REPLACEMENT DE LA BATTERIE

- 56 • Déverrouillez d'abord le siège, puis soulevez-le.
- 57 • Débrancher la fiche **A** de l'installation électrique de la fiche **B** de la batterie en appuyant latéralement.
- 58 • Retirez l'arrêteur de batterie en serrant dedans des côtés et en le glissant exempt de la fente dans le corps.
- 59 • Retirez l'ancienne pile et remplacez-la par une neuve.
- 60 • Substituez l'arrêteur de batterie.
- 61 • Refermez le siège. Une fois les opérations terminées, toujours penser à fermer et fixer le siège avec la vis de sécurité.

REGLES POUR UNE CONDUITE EN TOUTE SECURITE

DIVERTISSEMENT SANS INTERRUPTION: prévoir une batterie de rechange chargée et prête à l'emploi.

Pour la sécurité de l'enfant: avant de mettre en marche le jouet, lire et suivre attentivement les instructions suivantes:

VITESSE ÉLEVÉE

Nous suggérons au départ de n'utiliser que le réglage à vitesse FAIBLE et la marche arrière. Avant d'adopter le réglage en vitesse ÉLEVÉE, assurez-vous que votre enfant connaît bien le fonctionnement du véhicule.

• Réglage à vitesse FAIBLE (conducteurs débutants) :

Les deux mains agrippées au guidon, appuyez sur la pédale d'accélération: le véhicule se déplace vers l'avant à 3,5 mi/h / 5.6 Km/h.

• Réglage ÉLEVÉ de la vitesse (conducteurs chevronnés):

Les deux mains agrippées au guidon, appuyez sur la pédale d'accélération : le véhicule se déplace à 3,5 mi/h / 5.6 Km/h, puis après quelques secondes, à 7 mi/h / 11.3 Km/h. Relâchez la pression sur la pédale d'accélération pour qu'elle soit à mi-chemin et le véhicule « rétrograde » à 3,5 mi/h / 5.6 Km/h.

• MARCHE ARRIERE:

Abaisser d'une main le levier du changement de vitesse. Mettre l'autre main sur le guidon et appuyer avec le pied sur l'accélérateur. Le véhicule part en arrière à une vitesse d'environ 3.5mph / 5.6 Km/h.

• FREIN:

Le système électrique de freinage bloque automatiquement le véhicule quand on lève le pied de la pédale d'accélérateur. Enseigner à l'enfant à utiliser le véhicule correctement pour conduire en sécurité tout en s'amusant.

- Avant de partir, s'assurer que le parcours est libre de personnes ou de choses.
- Conduire avec les mains sur le guidon et toujours regarder la route.
- Freiner à temps pour éviter les accrochages.
- Mettre en 2^{de} vitesse quand l'enfant a appris à se servir correctement du guidon, de la 1^{ere} vitesse et du frein.

⚠ ATTENTION:

• Si le jouet est utilisé dans des conditions entraînant une surcharge, l'interrupteur de surchargeréduira automatiquement la puissance. La puissance sera rétablie quelques secondes plus tard.

ENTRETIEN ET SECURITE DU JOUET

Ce produit répond et/ou dépasse tous les **CONDITIONS DE SECURITE ASTM TOY** et il est conforme à la **NORME DE SURETE F 963** pour les utilisateurs des jouets électriques. Ce véhicule n'est pas conforme aux dispositions des normes de circulation routière et ne peut par conséquent pas circuler sur la voie publique.

SECURITE, MAINTENANCE ET ENTRETIEN

- Contrôler régulièrement l'état du jouet, en particulier l'installation électrique, le branchement des fiches, les capots de protection et le chargeur de batterie. Si l'on trouve des défauts, le jouet électrique et le chargeur de batterie ne doivent pas être utilisés. Pour les réparations, n'utiliser que des pièces de rechange d'origine PEG PEREGO.
- PEG PEREGO décline toute responsabilité en cas de mauvaise utilisation de l'installation électrique.
- Ne pas laisser les batteries ou le jouet à proximité de sources de chaleur comme des radiateurs, des cheminées, etc.
- Protéger le jouet de l'eau, de la pluie, de la neige, etc.
- Si le véhicule fonctionne en conditions de surcharge, l'interrupteur de surcharge coupe immédiatement le courant. La distribution de courant reprend de 10 secondes environ, mais il faut éliminer les conditions de surcharge pour assurer la conduite normale.
- Lubrifier périodiquement (avec une huile légère) les parties mobiles comme roulements à billes, direction, etc., surtout là où ils tournent ou entrent en contact.
- Les surfaces du jouet peuvent être nettoyées avec un chiffon humide. Ne jamais utiliser des détergents abrasifs. Les opérations de nettoyage doivent être effectuées exclusivement par des adultes.
- Ne jamais démonter les mécanismes du jouet ou les moteurs, sauf autorisation de PEG PEREGO.

SECURITE

⚠ ATTENTION:

- Pour éviter tout risque d'accident, la supervision d'un adulte est toujours requise. Ne pas utiliser le véhicule sur les voies publiques, là où il y a des voitures, sur les pentes raides, près de gradins, d'escaliers, de cours d'eau et de piscines; les enfants doivent toujours porter des chaussures quand ils utilisent le véhicule. Le véhicule est assemblé seulement pour deux enfants.
- Pour voyager sur surface lisses et terrains accidentés: herbe, gravier, pentes jusqu'à 17%.
- Ce produit n'est pas destiné aux enfants de moins de 5 ans. La présence de petites pièces est dangereuse parce qu'elles pourraient être avalées ou inhalées.
- Ne pas utiliser le véhicule sur les pentes raides ou près de gradins et d'escaliers. Le véhicule n'est pas conçu pour l'utilisation sur les voies publiques.
- Les enfants doivent toujours porter des chaussures quand ils utilisent le véhicule.
- L'usage d'un casque de bicyclette certifié est fortement recommandé.
- Quand le véhicule fonctionne, faire attention à ce que les enfants ne mettent pas les mains, les pieds ou d'autres parties du corps, des vêtements ou d'autres choses près des parties en mouvement.
- Ne jamais mouiller les composants du véhicule comme les moteurs, les installations, les touches, etc.
- Ne jamais utiliser d'essence ou d'autres substances inflammables près du véhicule.

PROBLEMES?

LE VEHICULE NE MARCHE PAS?

- **Si le véhicule fonctionne en conditions de surcharge, comme sur le sable mou, la boue ou les terrains très accidentés, l'interrupteur de surcharge coupe immédiatement le courant. La distribution de courant reprendra dans un délai de 10 secondes environ, mais il faut éliminer les conditions de surcharge pour assurer la conduite normale.**
- Vérifier qu'il n'y a pas de câbles débranchés sous le bouton de mise en route.
- Contrôler le fonctionnement de le bouton de mise en route et le remplacer éventuellement.
- Contrôler si la batterie est branchée à l'installation électrique.

LE VEHICULE MANQUE DE PUISSANCE?

- Recharger la batterie. Si après l'avoir rechargée le problème persiste, faire contrôler la batterie et le chargeur de batterie par un centre d'assistance autorisé PEG PEREGO.

SERVICE D'ASSISTANCE

Pour votre convenance, PEG PEREGO offre un service d'assistance après-vente, directement ou à travers un réseau de centres d'assistance autorisés pour les éventuelles réparations ou pour le remplacement et la vente de pièces de rechange d'origine.

Si vous avez n'importe quelles questions au sujet de votre véhicule de Peg Perego, veuillez appeler nos tuyaux de service en service libre appel à 1-800-661-5050 entre 8 AM et 6:30 PM Lundi par Vendredi. Les représentants qualifiés de service à la clientèle sont disponibles pour prendre votre appel.

STOP!

Do not return your vehicle to the store!

We're a toll-free phone call away and we can help.
If you are missing parts or need assistance, please see the contact information below.

¡ALTO!

¡No vuelva su vehículo al almacén!

Somos una llamada telefónica gratis lejos y podemos ayudar.
Si usted es piezas que falta o necesita ayuda, vea por favor la información del contacto abajo.

ARRÊTEZ!

Ne renvoyez pas votre véhicule à la mémoire !

Nous sommes un appel téléphonique en service libre appel loin et nous pouvons aider.
Si vous êtes les pièces manquantes ou avez besoin d'aide, voir s'il vous plaît l'information de contact ci-dessous.

Model Number IGOD0515

PEG PEREGO U.S.A Inc.

3625 INDEPENDENCE Dr. FORT WAYNE IN 46808

fax 260-484-2940

call us toll free 1-800-728-2108

llame USA gratis 1-800-225-1558

PEG PEREGO CANADA Inc.

585 GRANITE COURT PICKERING ONT. CANADA L1W3K1

fax 905-839-9542

call us toll free 1-800-661-5050

PEG PEREGO S.p.A.

via A. De Gasperi, 50 20862 ARCORE (MB) ITALIA



www.pegperego.com